

Activity Chair Nele

Model 2020

Cost estimate

Sender / billing address

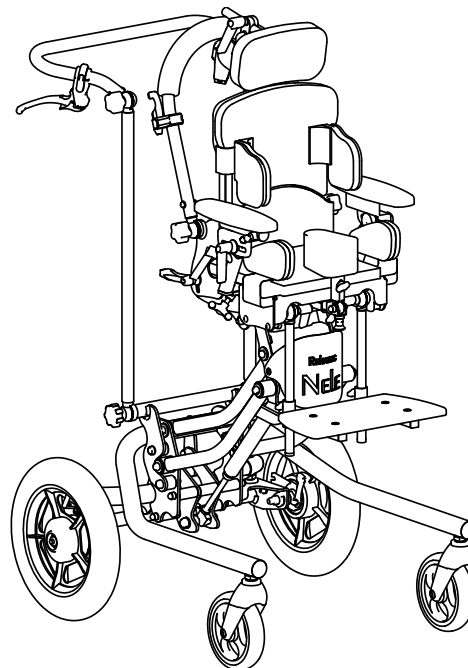
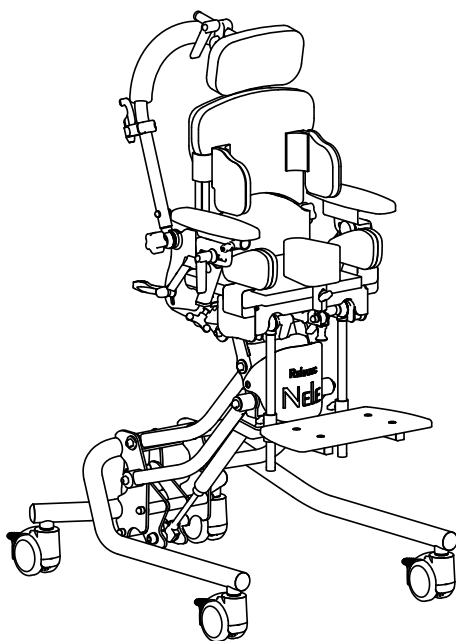
Order

Address for dispatch

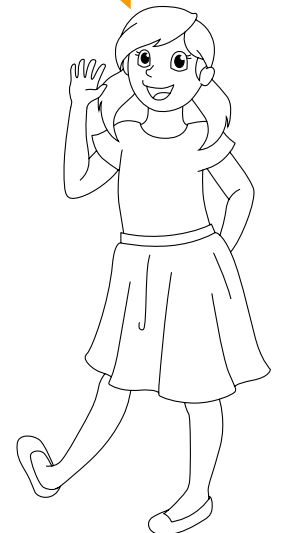
Purchaser

Date

Commission



Hi, I am Nele.
My modular design
perfectly adapts to
your requirements and
to your size.



Nele base model

- Indoor high-low frame Noah, height adjustment via gas spring, diagonal direction
- Seat plane angle (-6° to 37°) adjustable via gas spring
- Upholstered seat and backrest
- Depth-adjustable seat
- Armrests
- 4 lockable castors
- Footplate with footplate mounting
- Push brace mounted on seat
- Back rest recline adjustment from -10° to 35°
- Lateral supports in height and width

Figure does not comply with the base model and its accessories | Size tolerance of ±3%

Reimbursement code Germany

26.11.05.0042

Nele combined with high-low frame Noah

height and recline adjustment (see technical data), fits any table height!

Outdoor high-low frame option

- Noah with outdoor high-low frame, height adjustment via gas spring, diagonal direction
- 12" pneumatic drive wheels, 6" solid rubber castor wheels
- Push brace mounted on frame

Max. user weight

- | | |
|---------------|-------|
| • for size 0: | 40 kg |
| • for size 1: | 50 kg |
| • for size 2: | 60 kg |

Additional technical details available at www.rehatec.com -> Downloads. Or send us your request by email, fax or letter.

Valid from 2023-01-01 until recalled. © Unauthorized duplication without prior permission of Rehatec GmbH is strictly prohibited.

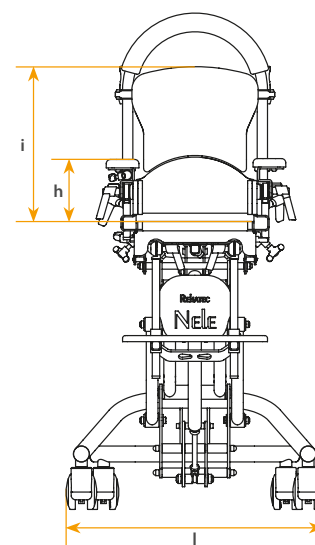
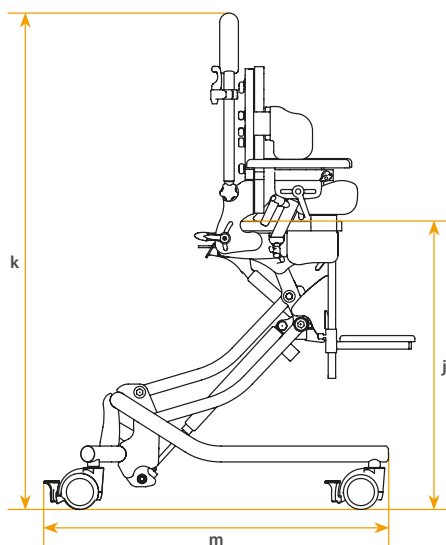
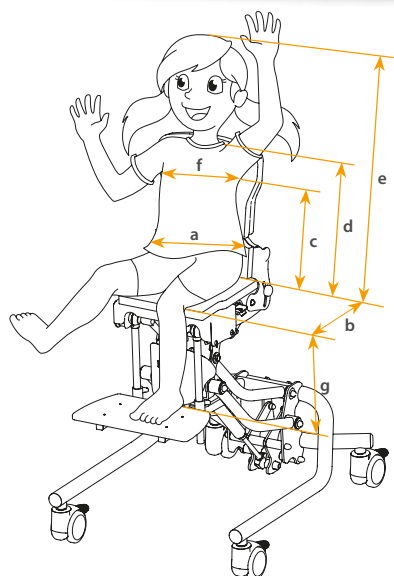
Technical changes reserved. Our General Terms and Conditions apply, see www.rehatec.com.

By ordering our products, you confirm that you have read and accepted our General Terms and Conditions

Rehatec® GmbH, In den Kreuzwiesen 35, 69250 Schönau, **T: +49 6228 9136-0, F: +49 6228 9136-99, info@rehatec.com, www.rehatec.com**

User Measurements & Configuration

Activity Chair Nele – Model 2020



User measurements

(c) Seat plate to armpit	(d) Seat plate to shoulder	(e) Seat plate to chest	Patient's weight ⁽¹⁾	Body height
cm	cm	cm	kg	cm

⁽¹⁾ mandatory

Patient's muscle tone

Stereotypical behaviour

(e.g. oscillating one's body permanently)*

* Please consider any stereotypical behaviour to check whether the activity chair needs any specific customisation

Base model measurements

Size	(a) Seat width	(b) Seat depth			(f) Chest width	(g) Lower leg length ⁽²⁾
		Standard	Short	Extended		
0	14 - 23 cm	17 - 27 cm	12 - 22 cm	—	14.5 - 20 cm	10 - 29.5 cm
1	15 - 27 cm	19.5 - 29.5 cm	15 - 25 cm	29,5 - 36 cm	20.5 - 26 cm	10 - 29.5 cm
2	24 - 34 cm	26 - 39 cm	22 - 35 cm	38 - 44 cm	26.5 - 31.5 cm	11 - 41 cm

⁽²⁾ For length of lower leg incl. calf support, see size measurement table for calf supports.

Size	(h) Height of armrest	(i) Height of back			
		Mini	Extra short	Short	Long
0	12.5 - 16.5 cm	24 - 27.5 cm	28 - 32.5 cm	32.5 - 39 cm	41.5 - 51 cm
1	15 - 22 cm	—	29 - 32 cm ⁽³⁾	33 - 41 cm	42 - 51.5 cm
2	17.5 - 26.5 cm	—	—	43 - 53 cm	50 - 60 cm

⁽³⁾ This back version allows for a chest width of 14.5 - 20 cm!

Size	(j) Seat height ⁽⁴⁾		
	Gas spring	Electric	Hydraulic
0	27.5 - 62 cm	35 - 63.5 cm	30.5 - 62.5 cm
1	27.5 - 62 cm	35 - 63.5 cm	30.5 - 62.5 cm
2	29.5 - 63,5 cm	36.5 - 65 cm	32 - 64 cm

⁽⁴⁾ Incl. 75 mm castors (standard)

Size	(j) Seat height outdoor (Out)		
	Gas spring	Electric	Hydraulic
0 (Out)	37.5 - 72 cm	44.5 - 73 cm	—
1 (Out)	37.5 - 72 cm	44.5 - 73 cm	—
2 (Out)	39 - 73.5 cm	46 - 74.5 cm	—

Size	(k) Total height			(l) Total width	(m) Total length	Body height	User weight
	Gas spring	Electric	Hydraulic				
0	107 cm	108.5 cm	107.5 cm	55 cm	73,5 cm	ca. 65 - 95 cm	40 kg
1	107 cm	108.5 cm	107.5 cm	55 cm	73,5 cm	ca. 90 - 125 cm	50 kg
2	120 cm	121.5 cm	120.5 cm	61 cm	76 cm	ca. 120 - 150 cm	60 kg
0 (Out)	117 cm	118 cm	—	65 cm	72,5 cm	ca. 65 - 95 cm	40 kg
1 (Out)	117 cm	118 cm	—	65 cm	72,5 cm	ca. 90 - 125 cm	50 kg
2 (Out)	130 cm	131 cm	—	70 cm	82 cm	ca. 120 - 150 cm	60 kg

Additional technical details available at www.rehatec.com -> Downloads. Or send us your request by email, fax or letter.

Valid from 2023-01-01 until recalled. © Unauthorized duplication without prior permission of Rehatec GmbH is strictly prohibited.

Technical changes reserved. Our General Terms and Conditions apply, see www.rehatec.com.

By ordering our products, you confirm that you have read and accepted our General Terms and Conditions

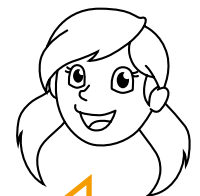
Rehatec® GmbH, In den Kreuzwiesen 35, 69250 Schönau, T: +49 6228 9136-0, F: +49 6228 9136-99, info@rehatec.com, www.rehatec.com

Nele		Options to be combined with standard frame																																		
Standard frame, height-adjustable via gas spring Please select castors below.		Electric height adjustment incl. battery Please select castors below.		Hydraulic height adjustment Please select castors below.		Outdoor frame(Out) Incl. 12" pneumatic driving wheels (drum brakes) and 6" solid rubber castors																														
<table border="1"> <thead> <tr> <th>Size</th> <th>Code</th> </tr> </thead> <tbody> <tr> <td>0</td> <td>1020886</td> </tr> <tr> <td>1</td> <td>1020844</td> </tr> <tr> <td>2</td> <td>1021470</td> </tr> </tbody> </table>	Size	Code	0	1020886	1	1020844	2	1021470		<table border="1"> <thead> <tr> <th>Size</th> <th>Code</th> </tr> </thead> <tbody> <tr> <td>0/1</td> <td>1020845</td> </tr> <tr> <td>2</td> <td>1021051</td> </tr> </tbody> </table>	Size	Code	0/1	1020845	2	1021051		<div style="border: 2px solid orange; padding: 5px; display: inline-block;"> Not available for outdoor frame! </div>	<table border="1"> <thead> <tr> <th>Size</th> <th>Code</th> </tr> </thead> <tbody> <tr> <td>0/1</td> <td>1020846</td> </tr> <tr> <td>2</td> <td>1021052</td> </tr> </tbody> </table>	Size	Code	0/1	1020846	2	1021052		<table border="1"> <thead> <tr> <th>Size</th> <th>Gas spring</th> <th>electric</th> </tr> </thead> <tbody> <tr> <td>0/1</td> <td>1020852</td> <td>1020853</td> </tr> <tr> <td>2</td> <td>1021016</td> <td>1021053</td> </tr> </tbody> </table>	Size	Gas spring	electric	0/1	1020852	1020853	2	1021016	1021053
Size	Code																																			
0	1020886																																			
1	1020844																																			
2	1021470																																			
Size	Code																																			
0/1	1020845																																			
2	1021051																																			
Size	Code																																			
0/1	1020846																																			
2	1021052																																			
Size	Gas spring	electric																																		
0/1	1020852	1020853																																		
2	1021016	1021053																																		
Size 0 2.687,- € Size 1 2.687,- € Size 2 2.994,- €		Extra charge 935,- €		Extra charge 533,- €		Extra charge 890,- €																														

Frame colours					
Pure white (RAL 9010)	Claret violet (RAL 4004)	Luminous green (RAL 6038)			
Daffodil yellow (RAL 1007)	Ultramarine blue (RAL 5002)	Anthracite grey, matt (RAL 7016m)			
Luminous yellow (RAL 1026)	Metallic traffic blue*	Metallic silver*			
Pure orange (RAL 2004)	Pearl night blue, matt (RAL 5026)	Metallic anthracite*			
Luminous orange (RAL 2005)	Water blue (RAL 5021)	Graphite black, matt (RAL 9011m)			
Ruby red (RAL 3003)	Light green (RAL 6027)	Glossy jet black (RAL 9005g)			
Pearl ruby red, matt (RAL 3032)	Yellow green (RAL 6018)				
Heather violet (RAL 4003)	Pearl green, matt (RAL 6035)				
* no RAL colours					
This is only an overview of colours. Find all details at www.rehatec.com .					

Cushion colours plain	
High quality microfibre cushion	
Washable up to 40 degrees	
Lilac (N20080)	
Blue (N20081)	
Green (N20082)	
High quality Trevira® CS cushion, universal knitted	
Red* (GU703)	
Grey* (GU709)	
*Surcharge 104,- € (not discountable)	

Seat depth*	
Standard	
Standard depth	
Optional	
Short (Code 1010421)	
Extended (Size 1 Code 1013822)	
(Size Code 1013823)	
* In case you do not select anything, we always provide you with the standard seat depth.	



Do not forget to select the frame and cushion colours of your Nele. They are very important to process your order.

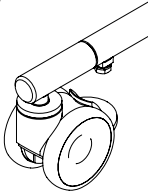
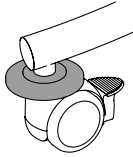
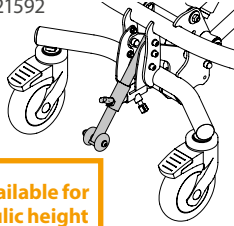
Castors for standard frame			
<div style="border: 2px solid red; padding: 10px; display: inline-block;"> Not suitable for outdoor frame! </div>	Lockable castors , 75 mm ⁽¹⁾ Code 1005593	Lockable 100 mm castors Code 1022143	Lockable 125 mm castors Code 1014946
		Caution: Seat height increases by 4.5 cm	Caution: Seat height increases by 7 cm
	Set/standard	Set/extra charge 101,- €	Set/extra charge 101,- €

⁽¹⁾ not available for electric height adjustment

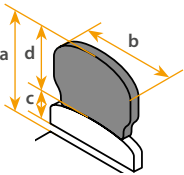
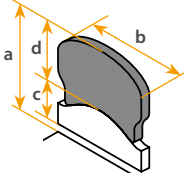
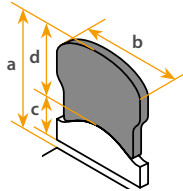
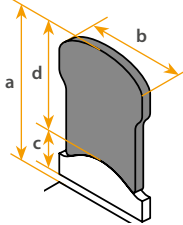
Castors, Back and Push Brace

Activity Chair Nele – Model 2020

Frame

<p>10 cm wheel base extension</p> <p>in frame colour</p>  <table border="1" data-bbox="161 528 296 607"> <thead> <tr> <th>Size</th> <th>Code</th> </tr> </thead> <tbody> <tr> <td>0/1</td> <td>1021600</td> </tr> <tr> <td>2</td> <td>1021603</td> </tr> </tbody> </table>	Size	Code	0/1	1021600	2	1021603	<p>Wall and furniture bumpers</p> <p>The total width extends by 4 cm!</p>  <table border="1" data-bbox="504 501 671 607"> <thead> <tr> <th>Castors</th> <th>Code</th> </tr> </thead> <tbody> <tr> <td>75 mm</td> <td>1018607</td> </tr> <tr> <td>100 mm</td> <td>1018783</td> </tr> <tr> <td>125 mm</td> <td>1018698</td> </tr> </tbody> </table>	Castors	Code	75 mm	1018607	100 mm	1018783	125 mm	1018698	<p>Anti-tip Code 1021592</p>  <p>Not available for hydraulic height adjustment!</p>	<p>Additional gas spring for height adjustment via gas spring</p> <table border="1" data-bbox="1187 371 1506 445"> <thead> <tr> <th>Code</th> <th>Recommended for</th> <th>Gas springs</th> </tr> </thead> <tbody> <tr> <td>1020693</td> <td>25 – 35 kg</td> <td>2 × 200 N</td> </tr> </tbody> </table> <p>We recommend a hydraulic or electric height adjustment for users exceeding 35 kg.</p>	Code	Recommended for	Gas springs	1020693	25 – 35 kg	2 × 200 N
Size	Code																						
0/1	1021600																						
2	1021603																						
Castors	Code																						
75 mm	1018607																						
100 mm	1018783																						
125 mm	1018698																						
Code	Recommended for	Gas springs																					
1020693	25 – 35 kg	2 × 200 N																					
<p>Pair 179, – €</p>	<p>Set 117, – €</p>	<p>Extra charge 268, – €</p>	<p>Pair / extra charge 126, – €</p>																				

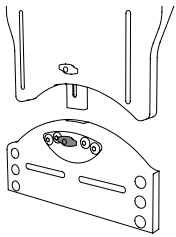
Back

	<p>Mini back</p>  <table border="1" data-bbox="268 1126 580 1182"> <thead> <tr> <th>Size</th> <th>a</th> <th>b</th> <th>c</th> <th>d</th> </tr> </thead> <tbody> <tr> <td>Mini</td> <td>24-27.5cm</td> <td>23cm</td> <td>8.5cm</td> <td>14.5cm</td> </tr> </tbody> </table>	Size	a	b	c	d	Mini	24-27.5cm	23cm	8.5cm	14.5cm	<p>Extra short back</p>  <table border="1" data-bbox="603 1099 887 1182"> <thead> <tr> <th>Size</th> <th>a</th> <th>b</th> <th>c</th> <th>d</th> </tr> </thead> <tbody> <tr> <td>0</td> <td>28-32.5 cm</td> <td>25 cm</td> <td>12 cm</td> <td>13 cm</td> </tr> <tr> <td>1</td> <td>29-32 cm</td> <td>25 cm</td> <td>13 cm</td> <td>13 cm</td> </tr> </tbody> </table>	Size	a	b	c	d	0	28-32.5 cm	25 cm	12 cm	13 cm	1	29-32 cm	25 cm	13 cm	13 cm	<p>Short back</p>  <table border="1" data-bbox="906 1070 1203 1182"> <thead> <tr> <th>Size</th> <th>a</th> <th>b</th> <th>c</th> <th>d</th> </tr> </thead> <tbody> <tr> <td>0</td> <td>32.5-39 cm</td> <td>25 cm</td> <td>12 cm</td> <td>18 cm</td> </tr> <tr> <td>1</td> <td>33-41 cm</td> <td>29 cm</td> <td>13 cm</td> <td>18 cm</td> </tr> <tr> <td>2</td> <td>43-53 cm</td> <td>39 cm</td> <td>18 cm</td> <td>23.5 cm</td> </tr> </tbody> </table>	Size	a	b	c	d	0	32.5-39 cm	25 cm	12 cm	18 cm	1	33-41 cm	29 cm	13 cm	18 cm	2	43-53 cm	39 cm	18 cm	23.5 cm	<p>Long back</p>  <table border="1" data-bbox="1225 1070 1513 1182"> <thead> <tr> <th>Size</th> <th>a</th> <th>b</th> <th>c</th> <th>d</th> </tr> </thead> <tbody> <tr> <td>0</td> <td>41.5-51 cm</td> <td>25 cm</td> <td>12 cm</td> <td>27 cm</td> </tr> <tr> <td>1</td> <td>42-51.5 cm</td> <td>29 cm</td> <td>13 cm</td> <td>27 cm</td> </tr> <tr> <td>2</td> <td>50-60 cm</td> <td>39 cm</td> <td>18 cm</td> <td>31 cm</td> </tr> </tbody> </table>	Size	a	b	c	d	0	41.5-51 cm	25 cm	12 cm	27 cm	1	42-51.5 cm	29 cm	13 cm	27 cm	2	50-60 cm	39 cm	18 cm	31 cm
Size	a	b	c	d																																																																	
Mini	24-27.5cm	23cm	8.5cm	14.5cm																																																																	
Size	a	b	c	d																																																																	
0	28-32.5 cm	25 cm	12 cm	13 cm																																																																	
1	29-32 cm	25 cm	13 cm	13 cm																																																																	
Size	a	b	c	d																																																																	
0	32.5-39 cm	25 cm	12 cm	18 cm																																																																	
1	33-41 cm	29 cm	13 cm	18 cm																																																																	
2	43-53 cm	39 cm	18 cm	23.5 cm																																																																	
Size	a	b	c	d																																																																	
0	41.5-51 cm	25 cm	12 cm	27 cm																																																																	
1	42-51.5 cm	29 cm	13 cm	27 cm																																																																	
2	50-60 cm	39 cm	18 cm	31 cm																																																																	
<p>Nele size</p>	<p>Extra charge 203, – €</p> <p>Size Mini 1009325</p>	<p>Extra charge 203, – €</p> <p>Size 0 1019514-0</p> <p>Size 1 1019514-1</p>	<p>Extra charge 203, – €</p> <p>Size 0 1009747</p> <p>Size 1 1009791</p> <p>Size 2 1009575</p>	<p>Extra charge 203, – €</p> <p>Gr. 0 1010149</p> <p>Gr. 1 1009441</p> <p>Gr. 2 1009805</p>																																																																	
<p>0</p>	<p>—</p>	<p>—</p>	<p>—</p>	<p>—</p>																																																																	
<p>1</p>	<p>—</p>	<p>—</p>	<p>—</p>	<p>—</p>																																																																	
<p>2</p>	<p>—</p>	<p>—</p>	<p>—</p>	<p>—</p>																																																																	

Extras

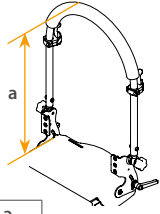
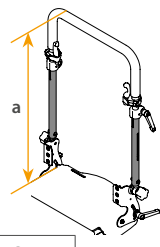
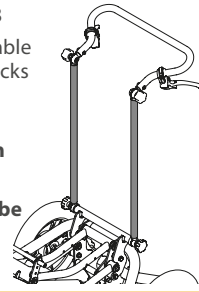
Removable back
Code 00010

Remove the back easily and fast



Optional (free of charge)

Push brace

<p>Push brace mounted on seat, adjustable for angle</p> <p>Angle-adjustable push brace clicks into place Colour: eloxal silver</p>  <table border="1" data-bbox="464 1854 671 1962"> <thead> <tr> <th>Size</th> <th>Code</th> <th>a</th> </tr> </thead> <tbody> <tr> <td>0</td> <td>1009459</td> <td>45 cm</td> </tr> <tr> <td>1</td> <td>1009562</td> <td>45 cm</td> </tr> <tr> <td>2</td> <td>1009589</td> <td>56.5 cm</td> </tr> </tbody> </table>	Size	Code	a	0	1009459	45 cm	1	1009562	45 cm	2	1009589	56.5 cm	<p>Push brace mounted on seat, adjustable in height and for angle</p> <p>Angle-adjustable push brace clicks into place, clamping lever for height adjustment Colour: push brace in eloxal silver, extension tube in black</p>  <table border="1" data-bbox="815 1854 1070 1962"> <thead> <tr> <th>Size</th> <th>Code</th> <th>a</th> </tr> </thead> <tbody> <tr> <td>0</td> <td>1010564</td> <td>59.5 - 69.5 cm</td> </tr> <tr> <td>1</td> <td>1010583</td> <td>59.5 - 69.5 cm</td> </tr> <tr> <td>2</td> <td>1010691</td> <td>59.5 - 69.5 cm</td> </tr> </tbody> </table>	Size	Code	a	0	1010564	59.5 - 69.5 cm	1	1010583	59.5 - 69.5 cm	2	1010691	59.5 - 69.5 cm	<p>Push brace mounted on frame, adjustable for angle</p> <p>Code 1020918 Angle-adjustable push brace clicks into place Colour: push brace in eloxal silver, extension tube in black</p>  <p>Included in outdoor frame!</p>
Size	Code	a																								
0	1009459	45 cm																								
1	1009562	45 cm																								
2	1009589	56.5 cm																								
Size	Code	a																								
0	1010564	59.5 - 69.5 cm																								
1	1010583	59.5 - 69.5 cm																								
2	1010691	59.5 - 69.5 cm																								
<p>Standard</p>	<p>Extra charge 136, – €</p>	<p>Extra charge 346, – €</p>																								

Additional technical details available at www.rehatec.com -> Downloads. Or send us your request by email, fax or letter.

Valid from 2023-01-01 until recalled. © Unauthorized duplication without prior permission of Rehatec GmbH is strictly prohibited.

Technical changes reserved. Our General Terms and Conditions apply, see www.rehatec.com.

By ordering our products, you confirm that you have read and accepted our General Terms and Conditions

Rehatec® GmbH, In den Kreuzwiesen 35, 69250 Schönau, T: +49 6228 9136-0, F: +49 6228 9136-99, info@rehatec.com, www.rehatec.com

Removable tray

Wooden tray, removable, safety rail and holders, cutout

Each holder is adjustable in width, tabletop **without holes**

Size	Code	a (depth)	b (width)	c (depth of cutout)	d (width of cutout)
0	1016671	40 cm	45 cm	14 cm	30 cm
1	1016672	39 cm	50 cm	13 cm	33 cm
2	1016673	45 cm	60 cm	15 cm	35 cm

Wooden tray, removable, safety rail and holders, without cutout

Size	Code	a (depth)	b (width)
0	1016671-S	40 cm	45 cm
1	1016672-S	39 cm	50 cm
2	1016673-S	45 cm	60 cm

Extra charge **261,- €** **Extra charge** **261,- €**

Swing-away therapy table

Swing-away wooden tray, safety rail and holders, cutout

Each holder is adjustable in width, tabletop **without holes**

Size	Code	a (depth)	b (width)	c (depth of cutout)	d (width of cutout)
0	1016774	40 cm	45 cm	14 cm	30 cm
1	1016775	39 cm	50 cm	13 cm	33 cm
2	1016776	45 cm	60 cm	15 cm	35 cm

Swing-away wooden tray, safety rail and holders, without cutout

Size	Code	a (depth)	b (width)
0	1016774-S	40 cm	45 cm
1	1016775-S	39 cm	50 cm
2	1016776-S	45 cm	60 cm

Extra charge **261,- €** **Extra charge** **261,- €**

Tray accessories

Full padding for tray

2 cm thick in Skai beige

Code	Size
1018009	0
1018010	1
1018011	2

Only available for trays with cutout!

Extra charge **137,- €**

Footplates

Footplate

Adjustable knee angle, foot angle **fixed**

Which material would you like to have? If you do not choose any, we will provide you with a wooden footplate.

Size	Code
0	1010235
1	1010308
2	1009600

Wood / standard **Metal**

Footplates

Footplate, parted

Adjustable knee angle, foot angle **fixed**

Size	Code
0	1010236
1	1010309
2	1010700

Footplate, parted with multi-adjustable foot supports

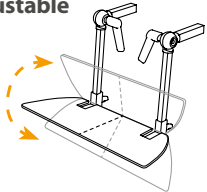
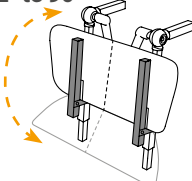
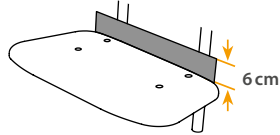
Adjustable knee angle, multi-adjustable foot angle

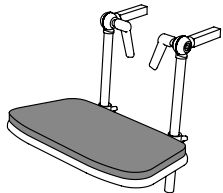
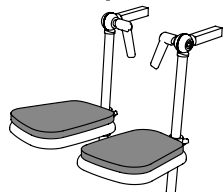
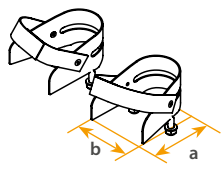
Not available for adjustable foot angle, folding mechanism and heel loop!

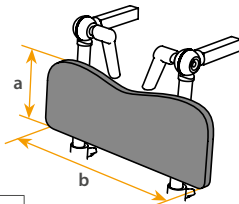
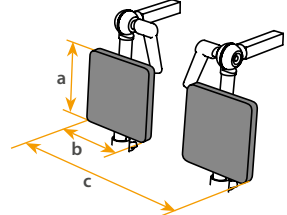
Size	Code
0	1010237
1	1010310
2	1010703

Wood / extra charge **115,- €** **Wood / extra charge** **187,- €**
Metal / extra charge **115,- €**

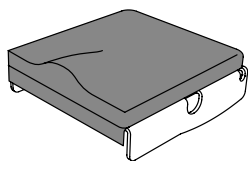
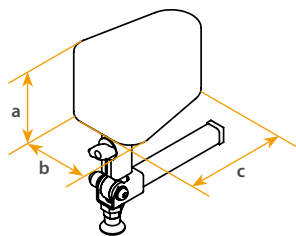
Footplate Accessories

<p>Foot angle, adjustable Code 214</p>  <p>Not available for adjustable for folding mechanism and footplate, parted with multi-adjustable foot supports!</p>	<p>Folding mechanism -22° to 90° Code 1017724</p>  <p>Not available for for foot angle, adjustable and footplate, parted with multi-adjustable foot supports!</p>	<p>Heel loop Code 217</p>  <p>Not available for parted wooden footplates! Please consider a minimum lower leg length of 18 cm when you use a calf support!</p>
<p>Extra charge 113,- €</p>	<p>Extra charge 177,- €</p>	<p>Extra charge 113,- €</p>

<p>Full padding for footplate, 2 cm thick</p>  <p>Wooden footplate: Skai beige Metal footplate: Skai black</p> <table border="1"> <tr><th>Size</th><th>Code</th></tr> <tr><td>0</td><td>1017843</td></tr> <tr><td>1</td><td>1017849</td></tr> <tr><td>2</td><td>1017855</td></tr> </table> <p>Full padding for footplate is not available for sandals!</p>	Size	Code	0	1017843	1	1017849	2	1017855	<p>Full padding for parted footplate, 2 cm thick</p>  <p>Wooden footplate: Skai beige Metal footplate: Skai black</p> <table border="1"> <tr><th>Size</th><th>Code</th></tr> <tr><td>0</td><td>1017919</td></tr> <tr><td>1</td><td>1017920</td></tr> <tr><td>2</td><td>1017921</td></tr> </table> <p>Full padding for footplate is not available for sandals!</p>	Size	Code	0	1017919	1	1017920	2	1017921	<p>Sandals incl. foot straps</p>  <p>Only available for parted wooden footplate, pre-assembly possible.</p> <table border="1"> <tr><th>Size</th><th>Code</th><th>a</th><th>b</th></tr> <tr><td>0</td><td>10052-0</td><td>11 cm</td><td>8 cm</td></tr> <tr><td>1/2</td><td>10052-1</td><td>14 cm</td><td>11 cm</td></tr> </table>	Size	Code	a	b	0	10052-0	11 cm	8 cm	1/2	10052-1	14 cm	11 cm
Size	Code																													
0	1017843																													
1	1017849																													
2	1017855																													
Size	Code																													
0	1017919																													
1	1017920																													
2	1017921																													
Size	Code	a	b																											
0	10052-0	11 cm	8 cm																											
1/2	10052-1	14 cm	11 cm																											
<p>Extra charge 115,- €</p>	<p>Pair 164,- €</p>	<p>Pair 302,- €</p>																												

<p>Calf support</p> <p>In cushion colour</p> <p>Please consider a minimum lower leg length of 18 cm when you use a heel loop!</p>  <table border="1"> <tr><th>Size</th><th>Code</th><th>Lower leg length</th><th>a</th><th>b</th></tr> <tr><td>0</td><td>1010278</td><td>18-30 cm</td><td>11 cm</td><td>28 cm</td></tr> <tr><td>1</td><td>1010280</td><td>18-30 cm</td><td>11 cm</td><td>30 cm</td></tr> <tr><td>2</td><td>1010705</td><td>21-41 cm</td><td>13 cm</td><td>33 cm</td></tr> </table>	Size	Code	Lower leg length	a	b	0	1010278	18-30 cm	11 cm	28 cm	1	1010280	18-30 cm	11 cm	30 cm	2	1010705	21-41 cm	13 cm	33 cm	<p>Calf support, parted</p> <p>In Skai black</p> <p>Please consider a minimum lower leg length of 18 cm when you use a heel loop!</p>  <table border="1"> <tr><th>Size</th><th>Code</th><th>Lower leg length</th><th>a</th><th>b</th><th>c</th></tr> <tr><td>0</td><td>1010835</td><td>18-30 cm</td><td>11 cm</td><td>12.5 cm</td><td>26.5 cm</td></tr> <tr><td>1</td><td>1010838</td><td>18-30 cm</td><td>11 cm</td><td>15 cm</td><td>31 cm</td></tr> <tr><td>2</td><td>1010314</td><td>24-41 cm</td><td>16 cm</td><td>18 cm</td><td>37.5 cm</td></tr> </table>	Size	Code	Lower leg length	a	b	c	0	1010835	18-30 cm	11 cm	12.5 cm	26.5 cm	1	1010838	18-30 cm	11 cm	15 cm	31 cm	2	1010314	24-41 cm	16 cm	18 cm	37.5 cm
Size	Code	Lower leg length	a	b																																									
0	1010278	18-30 cm	11 cm	28 cm																																									
1	1010280	18-30 cm	11 cm	30 cm																																									
2	1010705	21-41 cm	13 cm	33 cm																																									
Size	Code	Lower leg length	a	b	c																																								
0	1010835	18-30 cm	11 cm	12.5 cm	26.5 cm																																								
1	1010838	18-30 cm	11 cm	15 cm	31 cm																																								
2	1010314	24-41 cm	16 cm	18 cm	37.5 cm																																								
<p>Extra charge 193,- €</p>	<p>Pair 240,- €</p>																																												

Pelotten

<p>Anatomically shaped seat cushion</p> <p>Only available for a seat depth exceeding 20 cm!</p>  <table border="1"> <tr><th rowspan="2">Size</th><th colspan="2">Code</th></tr> <tr><th>Standard</th><th>Extended</th></tr> <tr><td>0</td><td>1017988</td><td>—</td></tr> <tr><td>1</td><td>1017991</td><td>1021142</td></tr> <tr><td>2</td><td>1017992</td><td>1021140</td></tr> </table>	Size	Code		Standard	Extended	0	1017988	—	1	1017991	1021142	2	1017992	1021140	<p>Abduction wedge, fold-down</p>  <table border="1"> <tr><th>Size</th><th>Code</th><th>a</th><th>b</th><th>c</th></tr> <tr><td>0</td><td>1010854</td><td>6.5 cm</td><td>7.5 cm</td><td>11 cm</td></tr> <tr><td>1</td><td>1009973</td><td>9 cm</td><td>7.5 cm</td><td>11 cm</td></tr> <tr><td>2</td><td>1010271</td><td>10 cm</td><td>9.5 cm</td><td>14 cm</td></tr> <tr><td>3</td><td>1010697</td><td>11 cm</td><td>15 cm</td><td>20 cm</td></tr> </table>	Size	Code	a	b	c	0	1010854	6.5 cm	7.5 cm	11 cm	1	1009973	9 cm	7.5 cm	11 cm	2	1010271	10 cm	9.5 cm	14 cm	3	1010697	11 cm	15 cm	20 cm
Size		Code																																						
	Standard	Extended																																						
0	1017988	—																																						
1	1017991	1021142																																						
2	1017992	1021140																																						
Size	Code	a	b	c																																				
0	1010854	6.5 cm	7.5 cm	11 cm																																				
1	1009973	9 cm	7.5 cm	11 cm																																				
2	1010271	10 cm	9.5 cm	14 cm																																				
3	1010697	11 cm	15 cm	20 cm																																				
<p>Extra charge 227,- €</p>	<p>Extra charge 246,- €</p>																																							

Additional technical details available at www.rehatec.com -> Downloads. Or send us your request by email, fax or letter.

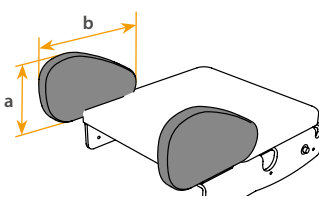
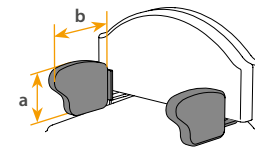
Valid from 2023-01-01 until recalled. © Unauthorized duplication without prior permission of Rehatec GmbH is strictly prohibited.

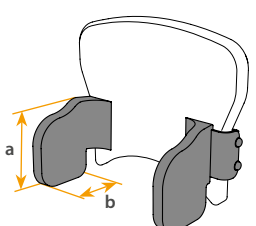
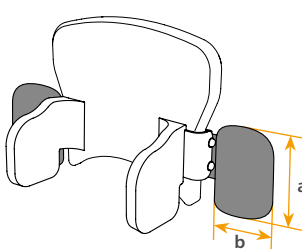
Technical changes reserved. Our General Terms and Conditions apply, see www.rehatec.com.

By ordering our products, you confirm that you have read and accepted our General Terms and Conditions

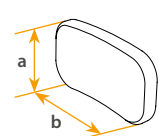
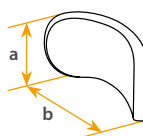
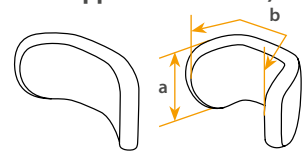
Rehatec® GmbH, In den Kreuzwiesen 35, 69250 Schönau, T: +49 6228 9136-0, F: +49 6228 9136-99, info@rehatec.com, www.rehatec.com


Supports

Femoral supports				Pelvic supports, adjustable in width			
							
Size	Code	a	b	Size	Code	a	b
Mini	1010754	7 cm	12 cm	Mini	1010752	6,5 cm	7 cm
0	1010181	8 cm	14 cm	0	1010168	8 cm	10 cm
1	1010153	10 cm	16 cm	1	1010176	10 cm	12 cm
2	1010658	12.5 cm	25 cm	2	1010958	13 cm	19,5 cm
Pair				Pair			
199, – €				389, – €			



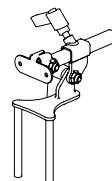
Lateral supports, adjustable in height and width				Arm supports			
							
Size	Code	a	b	Size	Code	a	b
Mini	1010749	10 cm	8 cm	0	1010598	12 cm	9 cm
0	1010169	11 cm	10.5 cm	1	1010599	16 cm	11 cm
1	1010177	14 cm	12.5 cm	2	1010693	19 cm	13 cm
2	1010692	17 cm	16 cm				
Standard (free of charge)				Pair			
				225, – €			

Headrests

Headrest, straight (Select head support attachment)		Headrest, shell-shaped (Select head support attachment)		Headrest, adjustable (Select head support attachment)							
											
Size	Code	a	b	Size	Code	a	b	Size	Code	a	b
0	1010166	11 cm	20 cm	0	1009693	11 cm	19 cm	Mini	1018345	10 cm	33 cm
1	1010180	14 cm	29 cm	1	1009695	14 cm	26 cm	1	1018338	10 cm	42 cm
2	1010683	15 cm	33 cm	2	1010684	15 cm	30 cm	2	1018343	14 cm	51 cm
Extra charge		275, – €		Extra charge		375, – €		Extra charge		382, – €	



Please select an attachment for your head support; otherwise we will provide you with the standard attachment.

Head support attachment, standard	Head support attachment with toothed segment adjustment	Head support attachment with clamping system
Code 1010410-AP Offset attachment bracket for round pipes 	Code 1013253-AP Offset attachment bracket for square pipes 	Code 1014903-AP Suitable for low headrest configurations 
Standard	Extra charge	Extra charge
	93, – €	93, – €

Attachment brackets without headrests

Head support attachment with clamping system suitable for third-party headrests

Code 1014903

- Angle-adjustable
- Suitable for 15 × 15 square pipes
- Suitable for low headrest configurations



Without headrest!

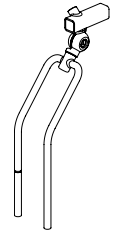
Extra charge

187, – €

Head support attachment with toothed segment adjustment suitable for third-party headrests

Code 1013253

- Angle-adjustable
- Offset bracket suitable for 15 × 15 square pipes



Without headrest!

Extra charge

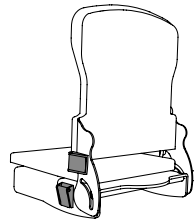
187, – €

Belts

Belt kit for the seat

Code 1021107

To attach pelvic restraint belts



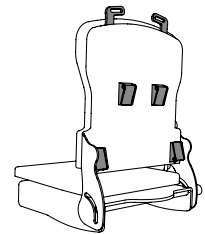
Set

46, – €

Belt kit for the back

Code 1021086

To attach chest harnesses



Set

46, – €

Chest harness

Material: Skai black

Size	Code
0	1013494
1	1013490
2	1012990
3	1013486

Material: neoprene

Size	Code
0	1013493
1	1013488
2	1008883
3	1004885

Extra charge

213, – €

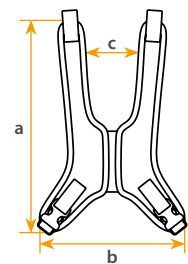
Extra charge

266, – €

Fixed belts at the shoulders and quick-release buckle in the pelvic region

Requires belt kit for the back, code 1021086

Size	a	b	c
0	22 cm	18 cm	7 cm
1	26 cm	21 cm	9 cm
2	36 cm	25 cm	11 cm
3	42 cm	29 cm	17 cm



Chest shoulder harness

Material: Skai black

Size	Code
0	1013492
1	1010372
2	1010374
3	1012989

Material: neoprene

Size	Code
0	1013491
1	1010373
2	1010375
3	1011918

Extra charge

185, – €

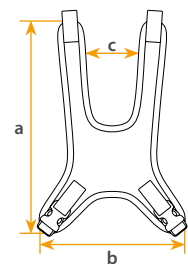
Extra charge

235, – €

Fixed belts at the shoulders and quick-release buckle in the pelvic region

Requires belt kit for the back, code 1021086

Size	a	b	c
0	22 cm	18 cm	7 cm
1	26 cm	21 cm	9 cm
2	36 cm	25 cm	11 cm
3	42 cm	29 cm	17 cm



Additional technical details available at www.rehatec.com -> Downloads. Or send us your request by email, fax or letter.

Valid from 2023-01-01 until recalled. © Unauthorized duplication without prior permission of Rehatec GmbH is strictly prohibited. Technical changes reserved. Our General Terms and Conditions apply, see www.rehatec.com.

By ordering our products, you confirm that you have read and accepted our General Terms and Conditions

Rehatec® GmbH, In den Kreuzwiesen 35, 69250 Schönau, T: +49 6228 9136-0, F: +49 6228 9136-99, info@rehatec.com, www.rehatec.com

Belts																							
Chest shoulder harness with quick release buckles and dials		Quick-release buckles at the shoulders and dials in the pelvic region																					
Material: Skai black		Material: neoprene																					
<table border="1"> <thead> <tr> <th>Size</th> <th>Code</th> </tr> </thead> <tbody> <tr> <td>0</td> <td>1021871</td> </tr> <tr> <td>1</td> <td>1021874</td> </tr> <tr> <td>2</td> <td>1021877</td> </tr> <tr> <td>3</td> <td>1021881</td> </tr> </tbody> </table>		Size	Code	0	1021871	1	1021874	2	1021877	3	1021881	<table border="1"> <thead> <tr> <th>Size</th> <th>Code</th> </tr> </thead> <tbody> <tr> <td>0</td> <td>1021872</td> </tr> <tr> <td>1</td> <td>1021875</td> </tr> <tr> <td>2</td> <td>1021878</td> </tr> <tr> <td>3</td> <td>1021882</td> </tr> </tbody> </table>		Size	Code	0	1021872	1	1021875	2	1021878	3	1021882
Size	Code																						
0	1021871																						
1	1021874																						
2	1021877																						
3	1021881																						
Size	Code																						
0	1021872																						
1	1021875																						
2	1021878																						
3	1021882																						
<table border="1"> <thead> <tr> <th>Size</th> <th>a</th> <th>b</th> <th>c</th> </tr> </thead> <tbody> <tr> <td>0</td> <td>22 cm</td> <td>18 cm</td> <td>7 cm</td> </tr> <tr> <td>1</td> <td>26 cm</td> <td>21 cm</td> <td>9 cm</td> </tr> <tr> <td>2</td> <td>36 cm</td> <td>25 cm</td> <td>11 cm</td> </tr> <tr> <td>3</td> <td>42 cm</td> <td>29 cm</td> <td>17 cm</td> </tr> </tbody> </table>		Size	a	b	c	0	22 cm	18 cm	7 cm	1	26 cm	21 cm	9 cm	2	36 cm	25 cm	11 cm	3	42 cm	29 cm	17 cm	<div style="border: 1px solid orange; padding: 5px; text-align: center;"> Requires belt kit for the back, code 1021086 </div>	
Size	a	b	c																				
0	22 cm	18 cm	7 cm																				
1	26 cm	21 cm	9 cm																				
2	36 cm	25 cm	11 cm																				
3	42 cm	29 cm	17 cm																				
Extra charge	185,- €	Extra charge	235,- €																				

4-point hip belt		4-point chest harness																						
<div style="border: 1px solid orange; padding: 5px; text-align: center;"> Requires belt kit for the seat, code 1021107 </div>		<div style="border: 1px solid orange; padding: 5px; text-align: center;"> Requires belt kit for the back, code 1021086 </div>																						
<table border="1"> <thead> <tr> <th>Size</th> <th>Code</th> <th>b (padding width)</th> </tr> </thead> <tbody> <tr> <td>1</td> <td>1010366</td> <td>10.5 cm</td> </tr> <tr> <td>2</td> <td>1010367</td> <td>13 cm</td> </tr> </tbody> </table>		Size	Code	b (padding width)	1	1010366	10.5 cm	2	1010367	13 cm	<table border="1"> <thead> <tr> <th>Size</th> <th>Code</th> <th>a (padding length)</th> </tr> </thead> <tbody> <tr> <td>1</td> <td>1010361</td> <td>21 cm</td> </tr> <tr> <td>2</td> <td>1010362</td> <td>34 cm</td> </tr> <tr> <td>3</td> <td>1010363</td> <td>37 cm</td> </tr> </tbody> </table>		Size	Code	a (padding length)	1	1010361	21 cm	2	1010362	34 cm	3	1010363	37 cm
Size	Code	b (padding width)																						
1	1010366	10.5 cm																						
2	1010367	13 cm																						
Size	Code	a (padding length)																						
1	1010361	21 cm																						
2	1010362	34 cm																						
3	1010363	37 cm																						
Extra charge	168,- €	Extra charge	192,- €																					

2-point hip belt		Pelvi.Loc hip belt 3D Code 1022024																						
<table border="1"> <thead> <tr> <th>Size</th> <th>Code</th> <th>b (padding width)</th> </tr> </thead> <tbody> <tr> <td>1</td> <td>1010364</td> <td>10,5 cm</td> </tr> <tr> <td>2</td> <td>1010365</td> <td>13 cm</td> </tr> </tbody> </table>		Size	Code	b (padding width)	1	1010364	10,5 cm	2	1010365	13 cm	<table border="1"> <thead> <tr> <th>Size</th> <th>b (pelvic width)</th> </tr> </thead> <tbody> <tr> <td>XXXS</td> <td>8 – 16 cm</td> </tr> <tr> <td>XXS</td> <td>12 – 16 cm</td> </tr> <tr> <td>XS</td> <td>16 – 24 cm</td> </tr> <tr> <td>S</td> <td>20 – 32 cm</td> </tr> <tr> <td>M</td> <td>28 – 38 cm</td> </tr> </tbody> </table>		Size	b (pelvic width)	XXXS	8 – 16 cm	XXS	12 – 16 cm	XS	16 – 24 cm	S	20 – 32 cm	M	28 – 38 cm
Size	Code	b (padding width)																						
1	1010364	10,5 cm																						
2	1010365	13 cm																						
Size	b (pelvic width)																							
XXXS	8 – 16 cm																							
XXS	12 – 16 cm																							
XS	16 – 24 cm																							
S	20 – 32 cm																							
M	28 – 38 cm																							
<div style="border: 1px solid orange; padding: 5px; text-align: center;"> Requires belt kit for the seat, code 1021107 </div>		<div style="border: 1px solid orange; padding: 5px; text-align: center;"> Requires belt kit for the seat, code 1021107 </div>																						
Extra charge	97,- €	Extra charge	340,- €																					

Groin straps		For any customisations, please use the `Modifications/ Customisations` form sheet available at www.rehatec.com under `Downloads`.																					
<div style="border: 1px solid orange; padding: 5px; text-align: center;"> Requires belt kit for the seat, code 1021107 </div>																							
<table border="1"> <thead> <tr> <th>Size</th> <th>Code</th> <th>a</th> <th>b</th> <th>c</th> </tr> </thead> <tbody> <tr> <td>1</td> <td>1010369</td> <td>37 cm</td> <td>21 cm</td> <td>15 cm</td> </tr> <tr> <td>2</td> <td>1010370</td> <td>44 cm</td> <td>26 cm</td> <td>21 cm</td> </tr> <tr> <td>3</td> <td>1010371</td> <td>52 cm</td> <td>29 cm</td> <td>26 cm</td> </tr> </tbody> </table>		Size	Code	a	b	c	1	1010369	37 cm	21 cm	15 cm	2	1010370	44 cm	26 cm	21 cm	3	1010371	52 cm	29 cm	26 cm		
Size	Code	a	b	c																			
1	1010369	37 cm	21 cm	15 cm																			
2	1010370	44 cm	26 cm	21 cm																			
3	1010371	52 cm	29 cm	26 cm																			
Extra charge	162,- €	Please consider that the prices of spare parts might differ from the prices specified in this order form.																					

