

Activity Chair Nele Classic

Model 2020

Cost estimate

Sender/billing address

Order

Address for dispatch

Purchaser

Date

Commission

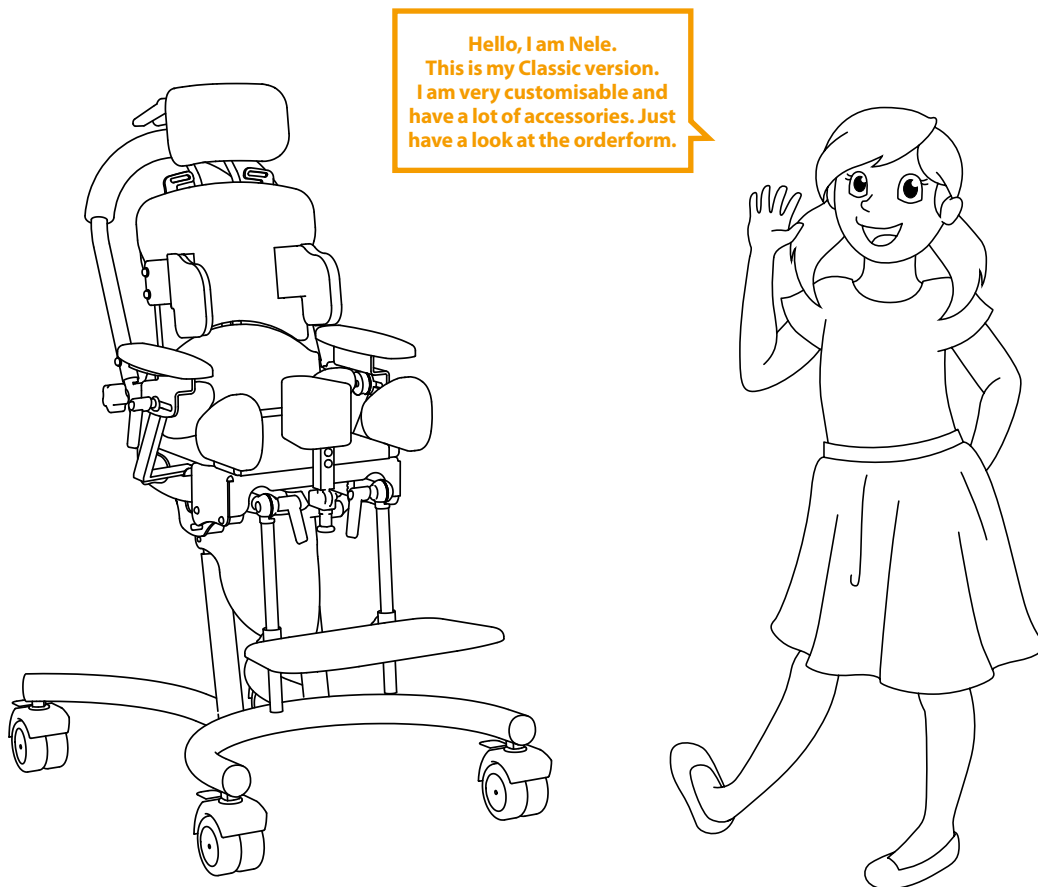


Figure does not comply with the base model and its accessories | Size tolerance of $\pm 3\%$

Nele Classic base model

- Base frame „Nick“
(Seat height through gas spring and seat angle adjustment manually to 42° possible)
- Seat and pelvic unit with cushion
- Seat depth adjustable
- Armrests
- Caster wheels
- Footrest, continous
- Push bar
- Back adjustment possible from -10° to 35°
- Lateral trunk supports, height and width adjustable

Nele Classic

Height and inclination adjustable (see dimensions), not suitable for kindergarten tables!

Reimbursement code Germany

26.11.05.0037

Max. user weight

- | | |
|---------------|-------|
| • for size 1: | 40 kg |
| • for size 2: | 50 kg |
| • for size 3: | 60 kg |

Additional technical details available at www.rehatec.com -> Downloads. Or send us your request by email, fax or letter.

Valid from 2023-01-01 until recalled. © Unauthorized duplication without prior permission of Rehatec GmbH is strictly prohibited.

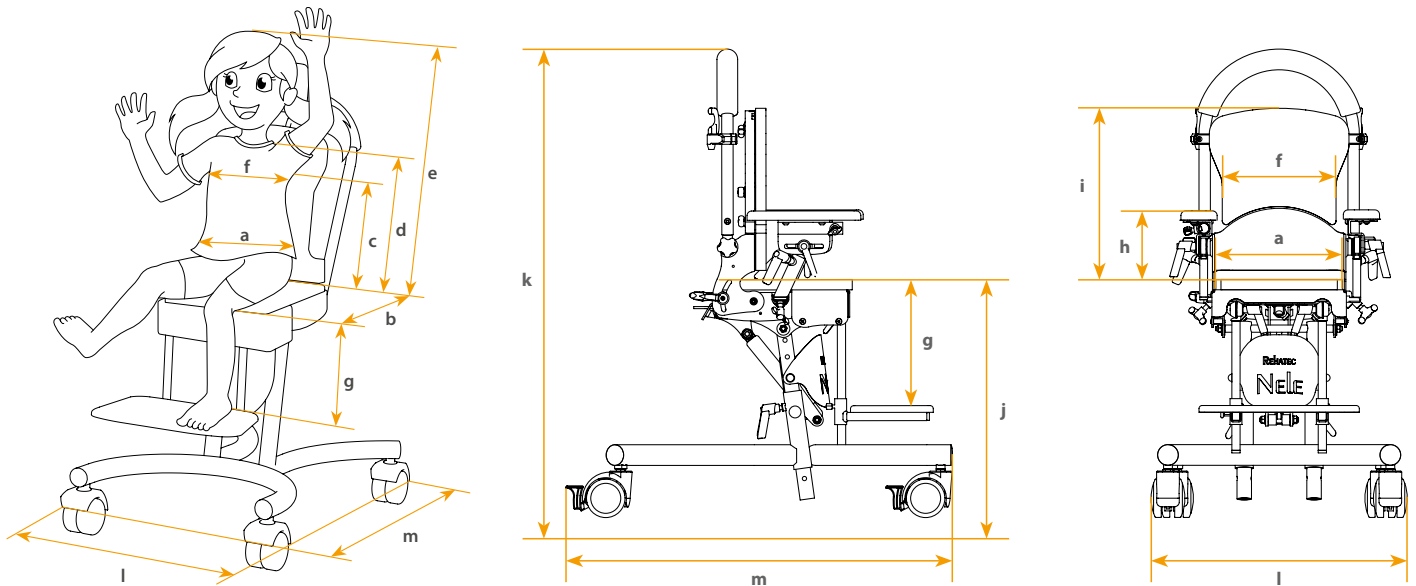
Technical changes reserved. Our General Terms and Conditions apply, see www.rehatec.com.

By ordering our products, you confirm that you have read and accepted our General Terms and Conditions

Rehatec® GmbH, In den Kreuzwiesen 35, 69250 Schönau, T: +49 6228 9136-0, F: +49 6228 9136-99, info@rehatec.com, www.rehatec.com

User Measurements & Configuration

Activity Chair Nele Classic – Model 2020



User measurements				
(c) Seat plate to armpit	(d) Seat plate to shoulder	(e) Seat plate to chest	Patient's weight ⁽¹⁾	Body height
cm	cm	cm	kg	cm

⁽¹⁾ mandatory.

Patient's muscle tone
Stereotypical behaviour (e.g. oscillating one's body permanently)*

* Please consider any stereotypical behaviour to check whether the activity chair needs any specific customisation

Base model measurements						
Size	(a) Seat width	(b) Seat depth			(f) Chest width	(g) Lower leg length ⁽²⁾
		Standard	Short	Extended		
0	14 - 23 cm	17 - 27 cm	12 - 22 cm	—	14,5 - 20 cm	10 - 29,5 cm
1	15 - 27 cm	19,5 - 29,5 cm	15 - 25 cm	29,5 - 36 cm	20,5 - 26 cm	10 - 29,5 cm
2	24 - 34 cm	26 - 39 cm	22 - 35 cm	38 - 44 cm	26,5 - 31,5 cm	11 - 41 cm
	cm	cm			cm	cm

⁽²⁾ For length of lower leg incl. calf support, see size measurement table for calf supports.

Size	(h) Height of armrest	(i) Height of back			
		Mini	Extra short	Short	Long
0	12,5 - 16,5 cm	24 - 27,5 cm	28 - 32,5 cm	32,5 - 39 cm	41,5 - 51 cm
1	15 - 22 cm	—	29 - 32 cm ⁽³⁾	33 - 41 cm	42 - 51,5 cm
2	17,5 - 26,5 cm	—	—	43 - 53 cm	50 - 60 cm

⁽³⁾ This back version allows for a chest width of 14.5 - 20 cm!

Size	(j) Seat height	(l) Total width	(m) Total height	Body height	Weight
0	45 - 59 cm ⁽⁴⁾	50 cm ⁽⁴⁾	75 cm ⁽⁴⁾	ca. 65 - 95 cm	23 kg
1	46 - 59 cm ⁽⁴⁾	50 cm ⁽⁴⁾	85 cm ⁽⁴⁾	ca. 90 - 125 cm	25 kg
2	47,5 - 60,5 cm ⁽⁵⁾	69 cm ⁽⁵⁾	94 cm ⁽⁵⁾	ca. 120 - 150 cm	27 kg

⁽⁴⁾ Incl. 75 mm castors (standard) | ⁽⁵⁾ Incl. 100 mm castors

Additional technical details available at www.rehatec.com -> Downloads. Or send us your request by email, fax or letter.

Valid from 2023-01-01 until recalled. © Unauthorized duplication without prior permission of Rehatec GmbH is strictly prohibited.

Technical changes reserved. Our General Terms and Conditions apply, see www.rehatec.com.

By ordering our products, you confirm that you have read and accepted our General Terms and Conditions

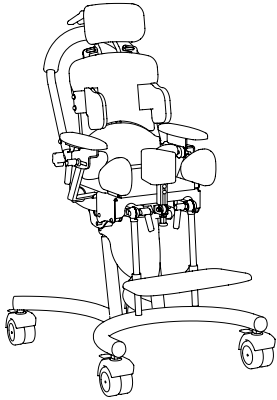
Rehatec® GmbH, In den Kreuzwiesen 35, 69250 Schönau, T: +49 6228 9136-0, F: +49 6228 9136-99, info@rehatec.com, www.rehatec.com

Frame and Castors

Activity Chair Nele Classic – Model 2020

Nele

Activity Chair Nele Classic



Size 0 (Code 1010249)	1.898,- €
Size 1 (Code 1010251)	1.898,- €
Size 2 (Code 1011748)	2.204,- €

Cushion colours plain

High quality microfibre cushion
Washable up to 40 degrees

Lilac	(N20080)
Blue	(N20081)
Green	(N20082)

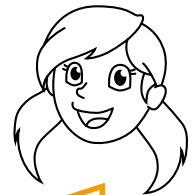
High quality Trevira® CS cushion, universal knitted

Red*	(GU703)
Grey*	(GU709)

***Surcharge 104,- € (not discountable)**

Seat tilt

0° to 37°



Do not forget to select the frame and cushion colours of your Nele. They are very important to process your order.

Seat depth*

Standard

Standard depth

Optional

Short (Code 1010421)
Extended (Size 1 Code 1013822) (Size Code 1013823)

* In case you do not select anything, we always provide you with the standard seat depth.

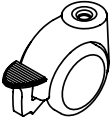
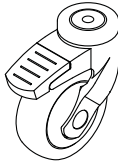

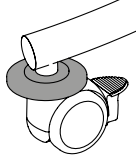
Frame colours

<ul style="list-style-type: none"> Pure white (RAL 9010) Daffodil yellow (RAL 1007) Luminous yellow (RAL 1026) Pure orange (RAL 2004) Luminous orange (RAL 2005) Ruby red (RAL 3003) Pearl ruby red, matt (RAL 3032) Heather violet (RAL 4003) 	<ul style="list-style-type: none"> Claret violet (RAL 4004) Ultramarine blue (RAL 5002) Metallic traffic blue* Pearl night blue, matt (RAL 5026) Water blue (RAL 5021) Light green (RAL 6027) Yellow green (RAL 6018) Pearl green, matt (RAL 6035) 	<ul style="list-style-type: none"> Luminous green (RAL 6038) Anthracite grey, matt (RAL 7016m) Metallic silver* Metallic anthracite* Graphite black, matt (RAL 9011m) Glossy jet black (RAL 9005g)
------------------------------------------------------------------------------------------------------------------------------------------------------------------------------------------------------------------------------------------------------------------------------------------------------------------------------------------------------------------------------------------------------------------------------------------------------------------------------------------------------------------------------------------------------------------------------------------------------------------------------------------------------------------------------------------------------------------------------------------------------------------------------------------------------------------------------------------------------------------------------------------------------------------------------------------------------------------------------------------------------------------------------------------------------------------------------------------------------------------------------------------------------------------------------------------------------------------------------------------------------------------------------------------------------------------------------------------------------------------------------------------------------------------------------------------------------------------------------------------------------------------	--------------------------------------------------------------------------------------------------------------------------------------------------------------------------------------------------------------------------------------------------------------------------------------------------------------------------------------------------------------------------------------------------------------------------------------------------------------------------------------------------------------------------------------------------------------------------------------------------------------------------------------------------------------------------------------------------------------------------------------------------------------------------------------------------------------------------------------------------------------------------------------------------------------------------------------------------------------------------------------------------------------------------------------------------------------------------------------------------------------------------------------------------------------------------------------------------------------------------------------------------------------------------------------------------------------------------------------------------------------------------------------------------------------------------------------------------------------------------------------------------------------------------	---------------------------------------------------------------------------------------------------------------------------------------------------------------------------------------------------------------------------------------------------------------------------------------------------------------------------------------------------------------------------------------------------------------------------------------------------------------------------------------------------------------------------------------------------------------------------------------------------------------------------------------------------------------------------------------------------------------------------------------------------------------------------------------------------------------------------------------------------------------------------------------------------------------------------------------------------------------------------------------------------------------------------------------------------------------------------------------------------------------------------------------------

*** no RAL colours**

This is only an overview of colours. Find all details at www.rehatec.com.

Castors

<p>Lockable castors , 75 mm Code 1005593</p> 	<p>Lockable 100 mm castors Code 1022143</p> <p>Caution: Seat height increases by 4.5 cm</p> 	<p>Lockable 125 mm castors Code 1014946</p> <p>Caution: Seat height increases by 7 cm</p> 	<p>Wall and furniture bumpers</p> <div style="border: 2px solid orange; padding: 5px; text-align: center; margin-bottom: 10px;"> <p>The total width extends by 4 cm!</p> </div>  <table border="1" style="width: 100%; border-collapse: collapse; margin-top: 10px;"> <thead> <tr> <th>Code</th> <th>Castors</th> </tr> </thead> <tbody> <tr> <td>1018607</td> <td>75 mm</td> </tr> <tr> <td>1018783</td> <td>100 mm</td> </tr> <tr> <td>1018698</td> <td>125 mm</td> </tr> </tbody> </table>	Code	Castors	1018607	75 mm	1018783	100 mm	1018698	125 mm
Code	Castors										
1018607	75 mm										
1018783	100 mm										
1018698	125 mm										
Set/Standard	Set/Surcharge 101,- €	Set/Surcharge 101,- €	Set 117,- €								

Notes

Back, Push Brace and Footplates

Activity Chair Nele Classic – Model 2020

Back																									
	Mini back				Extra short back				Short back				Long back												
	Size	a	b	c	d	Size	a	b	c	d	Size	a	b	c	d	Size	a	b	c	d					
	Mini	24-27,5cm	23cm	8,5cm	14,5cm	0	28-32,5 cm	25 cm	12 cm	13 cm	0	32,5-39 cm	25 cm	12 cm	18 cm	0	41,5-51 cm	25 cm	12 cm	27 cm	0	41,5-51 cm	25 cm	12 cm	27 cm
						1	29-32 cm	25 cm	13 cm	13 cm	1	33-41 cm	29 cm	13 cm	18 cm	1	42-51,5 cm	29 cm	13 cm	27 cm	1	42-51,5 cm	29 cm	13 cm	27 cm
						2	29-32 cm	25 cm	13 cm	13 cm	2	43-53 cm	39 cm	18 cm	23,5 cm	2	50-60 cm	39 cm	18 cm	31 cm	2	50-60 cm	39 cm	18 cm	31 cm
Nele Size	Each 203, – €				Each 203, – €				Each 203, – €				Each 203, – €												
	Size Mini 1009325				Size 0 1019514-0		Size 1 1019514		Size 0 1009747		Size 1 1009791		Size 2 1009575		Size 0 1010149		Size 1 1009441		Size 2 1009805						
0							—				—		—				—		—						
1	—												—						—						
2	—				—		—		—				—		—										

Extras

Removable back

Code 00010

Remove the back easily and fast

Optional (free of charge)

Push brace

Push brace mounted on seat, adjustable for angle

Angle-adjustable push brace clicks into place
Colour: **eloxal silver**

Size	Code	a
0	1009459	45 cm
1	1009562	45 cm
2	1009589	56,5 cm

Standard

Push brace mounted on seat, adjustable in height and for angle

Angle-adjustable push brace clicks into place, clamping lever for height adjustment

Size	Code	a
0	1010564	59,5 - 69,5 cm
1	1010583	59,5 - 69,5 cm
2	1010691	59,5 - 69,5 cm

Colour: **push brace in eloxal silver, extension tube in black**

Each / Surcharge 136, – €

Footplates

Footplate

Adjustable knee angle, foot angle **fixed**

Code	For Size
1010235	0
1010308	1
1009600	2

Which material would you like to have? If you do not choose any, we will provide you with a wooden footplate.

Wood / standard Metal

Footplate, parted

Adjustable knee angle, foot angle **fixed**

Code	For Size
1010236	0
1010309	1
1010700	2

Wood / Surcharge Metal / Surcharge

115, – € 115, – €

Footplate, parted with multi-adjustable foot supports

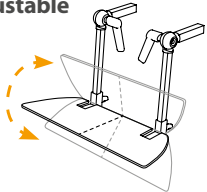
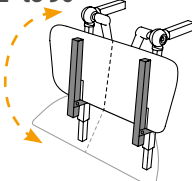
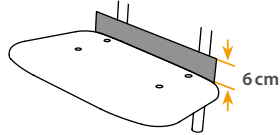
Adjustable knee angle, multi-adjustable foot angle

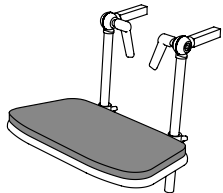
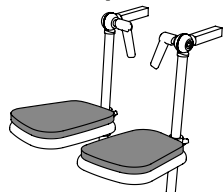
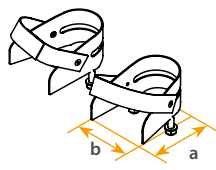
Code	For Size
1010237	0
1010310	1
1010703	2

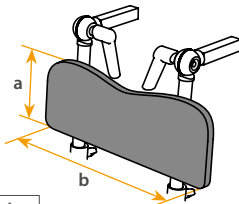
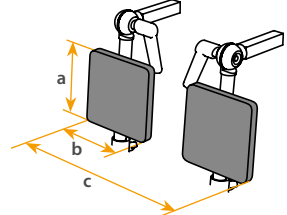
Not available for adjustable foot angle, folding mechanism and heel loop!

Wood / Surcharge 187, – €

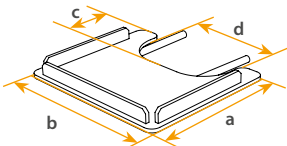
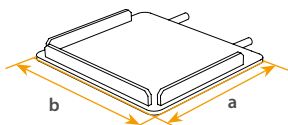
Footplate Accessories

<p>Foot angle, adjustable Code 214</p>  <p>Not available for adjustable for folding mechanism and footplate, parted with multi-adjustable foot supports!</p>	<p>Folding mechanism -22° to 90° Code 1017724</p>  <p>Not available for for foot angle, adjustable and footplate, parted with multi-adjustable foot supports!</p>	<p>Heel loop Code 217</p>  <p>Not available for parted wooden footplates! Please consider a minimum lower leg length of 18 cm when you use a calf support!</p>
<p>Surcharge 113,- €</p>	<p>Surcharge 177,- €</p>	<p>Each 113,- €</p>

<p>Full padding for footplate, 2 cm thick</p>  <p>Wooden footplate: Skai beige Metal footplate: Skai black</p> <table border="1"> <thead> <tr> <th>For Size</th> <th>Code</th> </tr> </thead> <tbody> <tr> <td>0</td> <td>1017843</td> </tr> <tr> <td>1</td> <td>1017849</td> </tr> <tr> <td>2</td> <td>1017855</td> </tr> </tbody> </table> <p>Full padding for footplate is not available for sandals!</p>	For Size	Code	0	1017843	1	1017849	2	1017855	<p>Full padding for parted footplate, 2 cm thick</p>  <p>Wooden footplate: Skai beige Metal footplate: Skai black</p> <table border="1"> <thead> <tr> <th>For Size</th> <th>Code</th> </tr> </thead> <tbody> <tr> <td>0</td> <td>1017919</td> </tr> <tr> <td>1</td> <td>1017920</td> </tr> <tr> <td>2</td> <td>1017921</td> </tr> </tbody> </table> <p>Full padding for footplate is not available for sandals!</p>	For Size	Code	0	1017919	1	1017920	2	1017921	<p>Sandals incl. foot straps</p>  <p>Only available for parted wooden footplate, pre-assembly possible.</p> <table border="1"> <thead> <tr> <th>For Size</th> <th>Code</th> <th>a</th> <th>b</th> </tr> </thead> <tbody> <tr> <td>0</td> <td>10052-0</td> <td>11 cm</td> <td>8 cm</td> </tr> <tr> <td>1/2</td> <td>10052-1</td> <td>14 cm</td> <td>11 cm</td> </tr> </tbody> </table>	For Size	Code	a	b	0	10052-0	11 cm	8 cm	1/2	10052-1	14 cm	11 cm
For Size	Code																													
0	1017843																													
1	1017849																													
2	1017855																													
For Size	Code																													
0	1017919																													
1	1017920																													
2	1017921																													
For Size	Code	a	b																											
0	10052-0	11 cm	8 cm																											
1/2	10052-1	14 cm	11 cm																											
<p>Each 115,- €</p>	<p>Pair 164,- €</p>	<p>Pair 302,- €</p>																												

<p>Calf support</p> <p>In cushion colour</p> <p>Please consider a minimum lower leg length of 18 cm when you use a heel loop!</p>  <table border="1"> <thead> <tr> <th>For Size</th> <th>Code</th> <th>Lower leg length</th> <th>a</th> <th>b</th> </tr> </thead> <tbody> <tr> <td>0</td> <td>1010278</td> <td>18-30 cm</td> <td>11 cm</td> <td>28 cm</td> </tr> <tr> <td>1</td> <td>1010280</td> <td>18-30 cm</td> <td>11 cm</td> <td>30 cm</td> </tr> <tr> <td>2</td> <td>1010705</td> <td>21-41 cm</td> <td>13 cm</td> <td>33 cm</td> </tr> </tbody> </table>	For Size	Code	Lower leg length	a	b	0	1010278	18-30 cm	11 cm	28 cm	1	1010280	18-30 cm	11 cm	30 cm	2	1010705	21-41 cm	13 cm	33 cm	<p>Calf support, parted</p> <p>In Skai black</p> <p>Please consider a minimum lower leg length of 18 cm when you use a heel loop!</p>  <table border="1"> <thead> <tr> <th>For Size</th> <th>Code</th> <th>Lower leg length</th> <th>a</th> <th>b</th> <th>c</th> </tr> </thead> <tbody> <tr> <td>0</td> <td>1010835</td> <td>18-30 cm</td> <td>11 cm</td> <td>12,5 cm</td> <td>26,5 cm</td> </tr> <tr> <td>1</td> <td>1010838</td> <td>18-30 cm</td> <td>11 cm</td> <td>15 cm</td> <td>31 cm</td> </tr> <tr> <td>2</td> <td>1010314</td> <td>24-41 cm</td> <td>16 cm</td> <td>18 cm</td> <td>37,5 cm</td> </tr> </tbody> </table>	For Size	Code	Lower leg length	a	b	c	0	1010835	18-30 cm	11 cm	12,5 cm	26,5 cm	1	1010838	18-30 cm	11 cm	15 cm	31 cm	2	1010314	24-41 cm	16 cm	18 cm	37,5 cm
For Size	Code	Lower leg length	a	b																																									
0	1010278	18-30 cm	11 cm	28 cm																																									
1	1010280	18-30 cm	11 cm	30 cm																																									
2	1010705	21-41 cm	13 cm	33 cm																																									
For Size	Code	Lower leg length	a	b	c																																								
0	1010835	18-30 cm	11 cm	12,5 cm	26,5 cm																																								
1	1010838	18-30 cm	11 cm	15 cm	31 cm																																								
2	1010314	24-41 cm	16 cm	18 cm	37,5 cm																																								
<p>Each 193,- €</p>	<p>Pair 240,- €</p>																																												

Removable tray

<p>Wooden tray, removable, safety rail and holders, cutout</p>  <p>Each holder is adjustable in width, tabletop without holes</p> <table border="1"> <thead> <tr> <th>Size</th> <th>Code</th> <th>a (depth)</th> <th>b (width)</th> <th>c (depth of cutout)</th> <th>d (width of cutout)</th> </tr> </thead> <tbody> <tr> <td>0</td> <td>1016671</td> <td>40 cm</td> <td>45 cm</td> <td>14 cm</td> <td>30 cm</td> </tr> <tr> <td>1</td> <td>1016672</td> <td>39 cm</td> <td>50 cm</td> <td>13 cm</td> <td>33 cm</td> </tr> <tr> <td>2</td> <td>1016673</td> <td>45 cm</td> <td>60 cm</td> <td>15 cm</td> <td>35 cm</td> </tr> </tbody> </table>	Size	Code	a (depth)	b (width)	c (depth of cutout)	d (width of cutout)	0	1016671	40 cm	45 cm	14 cm	30 cm	1	1016672	39 cm	50 cm	13 cm	33 cm	2	1016673	45 cm	60 cm	15 cm	35 cm	<p>Wooden tray, removable, safety rail and holders, without cutout</p>  <table border="1"> <thead> <tr> <th>Size</th> <th>Code</th> <th>a (depth)</th> <th>b (width)</th> </tr> </thead> <tbody> <tr> <td>0</td> <td>1016671-S</td> <td>40 cm</td> <td>45 cm</td> </tr> <tr> <td>1</td> <td>1016672-S</td> <td>39 cm</td> <td>50 cm</td> </tr> <tr> <td>2</td> <td>1016673-S</td> <td>45 cm</td> <td>60 cm</td> </tr> </tbody> </table>	Size	Code	a (depth)	b (width)	0	1016671-S	40 cm	45 cm	1	1016672-S	39 cm	50 cm	2	1016673-S	45 cm	60 cm
Size	Code	a (depth)	b (width)	c (depth of cutout)	d (width of cutout)																																				
0	1016671	40 cm	45 cm	14 cm	30 cm																																				
1	1016672	39 cm	50 cm	13 cm	33 cm																																				
2	1016673	45 cm	60 cm	15 cm	35 cm																																				
Size	Code	a (depth)	b (width)																																						
0	1016671-S	40 cm	45 cm																																						
1	1016672-S	39 cm	50 cm																																						
2	1016673-S	45 cm	60 cm																																						
<p>Each 261,- €</p>	<p>Each 261,- €</p>																																								

Additional technical details available at www.rehatec.com -> Downloads. Or send us your request by email, fax or letter.

Valid from 2023-01-01 until recalled. © Unauthorized duplication without prior permission of Rehatec GmbH is strictly prohibited.

Technical changes reserved. Our General Terms and Conditions apply, see www.rehatec.com.

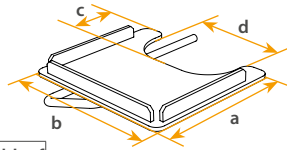
By ordering our products, you confirm that you have read and accepted our General Terms and Conditions

Rehatec® GmbH, In den Kreuzwiesen 35, 69250 Schönau, T: +49 6228 9136-0, F: +49 6228 9136-99, info@rehatec.com, www.rehatec.com

Swing-away therapy table

Swing-away wooden tray, safety rail and holders, cutout

Each holder is adjustable in width, tabletop **without holes**

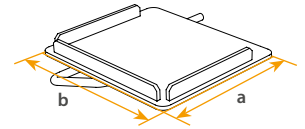


Size	Code	a (depth)	b (width)	c (width)	d d (width of cutout)
0	1016774	40 cm	45 cm	14 cm	30 cm
1	1016775	39 cm	50 cm	13 cm	33 cm
2	1016776	45 cm	60 cm	15 cm	35 cm

Each

261,- €

Swing-away wooden tray, safety rail and holders, without cutout



Size	Code	a (depth)	b (width)
0	1016774-S	40 cm	45 cm
1	1016775-S	39 cm	50 cm
2	1016776-S	45 cm	60 cm

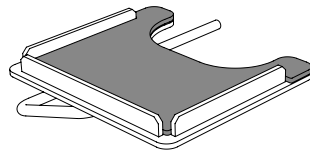
Each

261,- €

Tray accessories

Full padding for tray

2 cm thick in Skai beige



Code	For Size
1018009	0
1018010	1
1018011	2

Only available for trays with cutout!

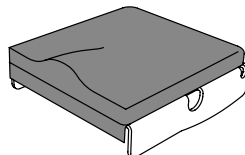
Each

137,- €

Supports

Anatomically shaped seat cushion

Only available for a seat depth exceeding 20 cm!

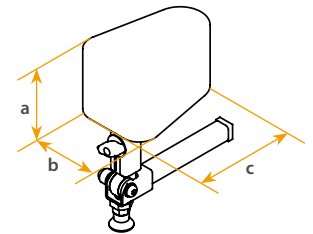


For Size	Code	
	Standard	Extended
0	1017988	—
1	1017991	1021142
2	1017992	1021140

Each

227,- €

Abduction wedge, fold-down

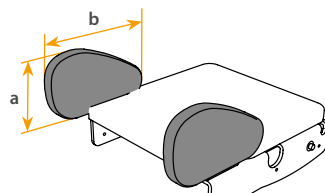


Size	Code	a	b	c
0	1010854	6,5 cm	7,5 cm	11 cm
1	1009973	9 cm	7,5 cm	11 cm
2	1010271	10 cm	9,5 cm	14 cm
3	1010697	11 cm	15 cm	20 cm

Each

246,- €

Femoral supports

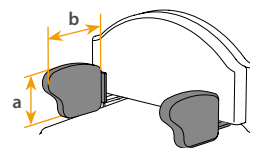


Code	Size	a	b
1010754	Mini	7 cm	12 cm
1010181	0	8 cm	14 cm
1010153	1	10 cm	16 cm
1010658	2	13 cm	25 cm

Pair

199,- €

Pelvic supports, adjustable in width



Code	Size	a	b
1010752	Mini	6,5 cm	7 cm
1010168	0	8 cm	10 cm
1010176	1	10 cm	12 cm
1010696	2	13 cm	19,5 cm

Pair

389,- €

Additional technical details available at www.rehatec.com -> Downloads. Or send us your request by email, fax or letter.

Valid from 2023-01-01 until recalled. © Unauthorized duplication without prior permission of Rehatec GmbH is strictly prohibited.

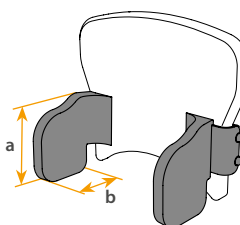
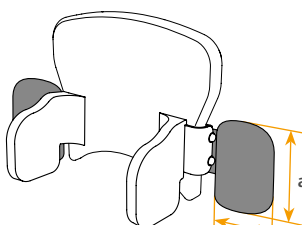
Technical changes reserved. Our General Terms and Conditions apply, see www.rehatec.com.

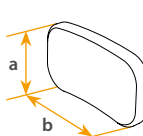
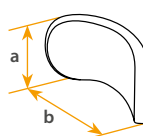
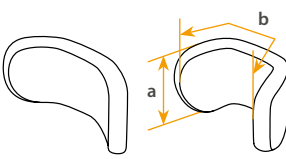
By ordering our products, you confirm that you have read and accepted our General Terms and Conditions

Rehatec® GmbH, In den Kreuzwiesen 35, 69250 Schönau, T: +49 6228 9136-0, F: +49 6228 9136-99, info@rehatec.com, www.rehatec.com

Supports and Headrests


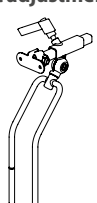
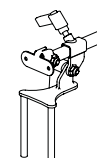
Activity Chair Nele Classic – Model 2020


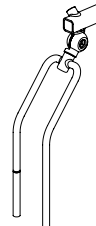
Pelotten																																					
Lateral supports, adjustable in height and width  <table border="1"> <thead> <tr> <th>Code</th> <th>Size</th> <th>a</th> <th>b</th> </tr> </thead> <tbody> <tr> <td>1010749</td> <td>Mini</td> <td>10 cm</td> <td>8,5 cm</td> </tr> <tr> <td>1010169</td> <td>0</td> <td>12 cm</td> <td>10 cm</td> </tr> <tr> <td>1010177</td> <td>1</td> <td>14 cm</td> <td>12 cm</td> </tr> <tr> <td>1010692</td> <td>2</td> <td>15,5 cm</td> <td>15,5 cm</td> </tr> </tbody> </table>	Code	Size	a	b	1010749	Mini	10 cm	8,5 cm	1010169	0	12 cm	10 cm	1010177	1	14 cm	12 cm	1010692	2	15,5 cm	15,5 cm	Arm supports  <table border="1"> <thead> <tr> <th>Code</th> <th>Size</th> <th>a</th> <th>b</th> </tr> </thead> <tbody> <tr> <td>1010598</td> <td>0</td> <td>12 cm</td> <td>9 cm</td> </tr> <tr> <td>1010599</td> <td>1</td> <td>16 cm</td> <td>11 cm</td> </tr> <tr> <td>1010693</td> <td>2</td> <td>19 cm</td> <td>13 cm</td> </tr> </tbody> </table>	Code	Size	a	b	1010598	0	12 cm	9 cm	1010599	1	16 cm	11 cm	1010693	2	19 cm	13 cm
Code	Size	a	b																																		
1010749	Mini	10 cm	8,5 cm																																		
1010169	0	12 cm	10 cm																																		
1010177	1	14 cm	12 cm																																		
1010692	2	15,5 cm	15,5 cm																																		
Code	Size	a	b																																		
1010598	0	12 cm	9 cm																																		
1010599	1	16 cm	11 cm																																		
1010693	2	19 cm	13 cm																																		
Standard (kostenlos)	Pair 225,- €																																				

Headrests																																																		
Headrest, straight (Select head support attachment)  <table border="1"> <thead> <tr> <th>Code</th> <th>Size</th> <th>a</th> <th>b</th> </tr> </thead> <tbody> <tr> <td>1010166</td> <td>0</td> <td>11 cm</td> <td>20 cm</td> </tr> <tr> <td>1010180</td> <td>1</td> <td>14 cm</td> <td>29 cm</td> </tr> <tr> <td>1010683</td> <td>2</td> <td>15 cm</td> <td>33 cm</td> </tr> </tbody> </table> <p>Select attachment or we will provide you with standard attachment.</p>	Code	Size	a	b	1010166	0	11 cm	20 cm	1010180	1	14 cm	29 cm	1010683	2	15 cm	33 cm	Headrest, shell-shaped (Select head support attachment)  <table border="1"> <thead> <tr> <th>Code</th> <th>Size</th> <th>a</th> <th>b</th> </tr> </thead> <tbody> <tr> <td>1009693</td> <td>0</td> <td>11 cm</td> <td>19 cm</td> </tr> <tr> <td>1009695</td> <td>1</td> <td>14 cm</td> <td>26 cm</td> </tr> <tr> <td>1010684</td> <td>2</td> <td>15 cm</td> <td>30 cm</td> </tr> </tbody> </table> <p>Select attachment or we will provide you with standard attachment.</p>	Code	Size	a	b	1009693	0	11 cm	19 cm	1009695	1	14 cm	26 cm	1010684	2	15 cm	30 cm	Headrest, adjustable (Select head support attachment)  <table border="1"> <thead> <tr> <th>Size</th> <th>Code</th> <th>a</th> <th>b</th> </tr> </thead> <tbody> <tr> <td>Mini</td> <td>1018345</td> <td>10 cm</td> <td>33 cm</td> </tr> <tr> <td>1</td> <td>1018338</td> <td>10 cm</td> <td>42 cm</td> </tr> <tr> <td>2</td> <td>1018343</td> <td>14 cm</td> <td>51 cm</td> </tr> </tbody> </table> <p>Select attachment or we will provide you with standard attachment.</p>	Size	Code	a	b	Mini	1018345	10 cm	33 cm	1	1018338	10 cm	42 cm	2	1018343	14 cm	51 cm
Code	Size	a	b																																															
1010166	0	11 cm	20 cm																																															
1010180	1	14 cm	29 cm																																															
1010683	2	15 cm	33 cm																																															
Code	Size	a	b																																															
1009693	0	11 cm	19 cm																																															
1009695	1	14 cm	26 cm																																															
1010684	2	15 cm	30 cm																																															
Size	Code	a	b																																															
Mini	1018345	10 cm	33 cm																																															
1	1018338	10 cm	42 cm																																															
2	1018343	14 cm	51 cm																																															
Each 275,- €	Each 375,- €	Each 382,- €																																																



Please select an attachment for your head support; otherwise we will provide you with the standard attachment.

Head support attachment, standard Code 1010410-AP Offset attachment bracket for round pipes 	Head support attachment with toothed segment adjustment Code 1013253-AP Offset attachment bracket for square pipes 	Head support attachment with clamping system Code 1014903-AP Suitable for low headrest configurations 
Standard	Each/Surcharge 93,- €	Each/Surcharge 93,- €

Attachment brackets without headrests	
Head support attachment with clamping system suitable for third-party headrests Code 1014903 • Angle-adjustable • Suitable for 15 × 15 square pipes • Suitable for low headrest configurations 	Head support attachment with toothed segment adjustment suitable for third-party headrests Code 1013253 • Angle-adjustable • Offset bracket suitable for 15 × 15 square pipes 
Without headrest!	Without headrest!
Each 187,- €	Each 187,- €

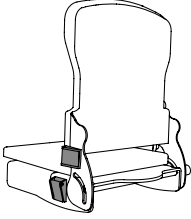
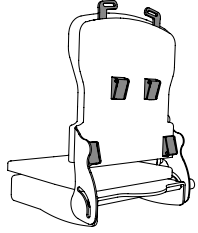
Additional technical details available at www.rehatec.com -> Downloads. Or send us your request by email, fax or letter.

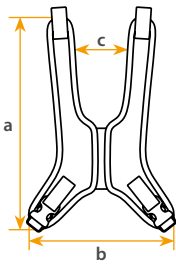
Valid from 2023-01-01 until recalled. © Unauthorized duplication without prior permission of Rehatec GmbH is strictly prohibited.

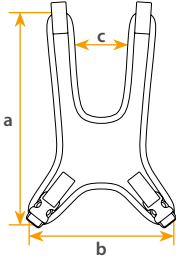
Technical changes reserved. Our General Terms and Conditions apply, see www.rehatec.com.

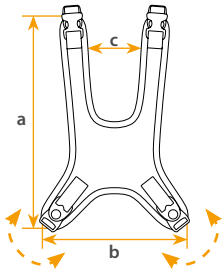
By ordering our products, you confirm that you have read and accepted our General Terms and Conditions

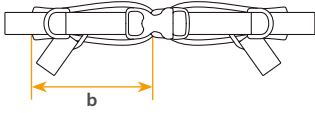
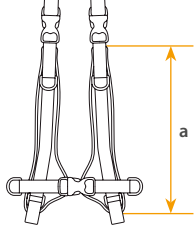
Rehatec® GmbH, In den Kreuzwiesen 35, 69250 Schönau, T: +49 6228 9136-0, F: +49 6228 9136-99, info@rehatec.com, www.rehatec.com

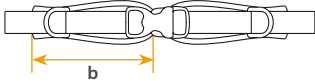
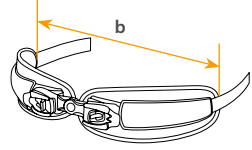
Belts	
<p>Belt kit for the seat Code 1021107</p> <p>To attach pelvic restraint belts</p> 	<p>Belt kit for the back Code 1021086</p> <p>To attach chest harnesses</p> 
Set	46,- €
Set	46,- €

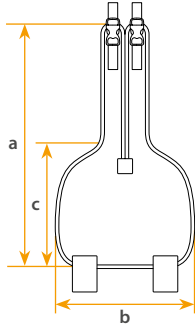
<p>Chest harness</p> <p>Material: Skai black</p> <table border="1"> <thead> <tr><th>Size</th><th>Code</th></tr> </thead> <tbody> <tr><td>0</td><td>1013494</td></tr> <tr><td>1</td><td>1013490</td></tr> <tr><td>2</td><td>1012990</td></tr> <tr><td>3</td><td>1013486</td></tr> </tbody> </table>	Size	Code	0	1013494	1	1013490	2	1012990	3	1013486	<p>Material: neoprene</p> <table border="1"> <thead> <tr><th>Size</th><th>Code</th></tr> </thead> <tbody> <tr><td>0</td><td>1013493</td></tr> <tr><td>1</td><td>1013488</td></tr> <tr><td>2</td><td>1008883</td></tr> <tr><td>3</td><td>1004885</td></tr> </tbody> </table>	Size	Code	0	1013493	1	1013488	2	1008883	3	1004885	<p>Fixed belts at the shoulders and quick-release buckle in the pelvic region</p> <div style="border: 2px solid orange; padding: 5px; text-align: center; margin: 10px 0;"> Requires belt kit for the back, code 1021086 </div> <table border="1"> <thead> <tr><th>Size</th><th>a</th><th>b</th><th>c</th></tr> </thead> <tbody> <tr><td>0</td><td>22 cm</td><td>18 cm</td><td>7 cm</td></tr> <tr><td>1</td><td>26 cm</td><td>21 cm</td><td>9 cm</td></tr> <tr><td>2</td><td>36 cm</td><td>25 cm</td><td>11 cm</td></tr> <tr><td>3</td><td>42 cm</td><td>29 cm</td><td>17 cm</td></tr> </tbody> </table> 	Size	a	b	c	0	22 cm	18 cm	7 cm	1	26 cm	21 cm	9 cm	2	36 cm	25 cm	11 cm	3	42 cm	29 cm	17 cm
Size	Code																																									
0	1013494																																									
1	1013490																																									
2	1012990																																									
3	1013486																																									
Size	Code																																									
0	1013493																																									
1	1013488																																									
2	1008883																																									
3	1004885																																									
Size	a	b	c																																							
0	22 cm	18 cm	7 cm																																							
1	26 cm	21 cm	9 cm																																							
2	36 cm	25 cm	11 cm																																							
3	42 cm	29 cm	17 cm																																							
Each	213,- €	Each	266,- €																																							

<p>Chest shoulder harness</p> <p>Material: Skai black</p> <table border="1"> <thead> <tr><th>Code</th><th>Size</th></tr> </thead> <tbody> <tr><td>1013492</td><td>0</td></tr> <tr><td>1010372</td><td>1</td></tr> <tr><td>1010374</td><td>2</td></tr> <tr><td>1012989</td><td>3</td></tr> </tbody> </table>	Code	Size	1013492	0	1010372	1	1010374	2	1012989	3	<p>Material: neoprene</p> <table border="1"> <thead> <tr><th>Code</th><th>Size</th></tr> </thead> <tbody> <tr><td>1013491</td><td>0</td></tr> <tr><td>1010373</td><td>1</td></tr> <tr><td>1010375</td><td>2</td></tr> <tr><td>1011918</td><td>3</td></tr> </tbody> </table>	Code	Size	1013491	0	1010373	1	1010375	2	1011918	3	<p>Fixed belts at the shoulders and quick-release buckle in the pelvic region</p> <div style="border: 2px solid orange; padding: 5px; text-align: center; margin: 10px 0;"> Requires belt kit for the back, code 1021086 </div> <table border="1"> <thead> <tr><th>Size</th><th>a</th><th>b</th><th>c</th></tr> </thead> <tbody> <tr><td>0</td><td>22 cm</td><td>18 cm</td><td>7 cm</td></tr> <tr><td>1</td><td>26 cm</td><td>21 cm</td><td>9 cm</td></tr> <tr><td>2</td><td>36 cm</td><td>25 cm</td><td>11 cm</td></tr> <tr><td>3</td><td>42 cm</td><td>29 cm</td><td>17 cm</td></tr> </tbody> </table> 	Size	a	b	c	0	22 cm	18 cm	7 cm	1	26 cm	21 cm	9 cm	2	36 cm	25 cm	11 cm	3	42 cm	29 cm	17 cm
Code	Size																																									
1013492	0																																									
1010372	1																																									
1010374	2																																									
1012989	3																																									
Code	Size																																									
1013491	0																																									
1010373	1																																									
1010375	2																																									
1011918	3																																									
Size	a	b	c																																							
0	22 cm	18 cm	7 cm																																							
1	26 cm	21 cm	9 cm																																							
2	36 cm	25 cm	11 cm																																							
3	42 cm	29 cm	17 cm																																							
Each	185,- €	Each	235,- €																																							

<p>Chest shoulder harness with quick release buckles and dials</p> <p>Material: Skai black</p> <table border="1"> <thead> <tr><th>Size</th><th>Code</th></tr> </thead> <tbody> <tr><td>0</td><td>1021871</td></tr> <tr><td>1</td><td>1021874</td></tr> <tr><td>2</td><td>1021877</td></tr> <tr><td>3</td><td>1021881</td></tr> </tbody> </table>	Size	Code	0	1021871	1	1021874	2	1021877	3	1021881	<p>Material: neoprene</p> <table border="1"> <thead> <tr><th>Size</th><th>Code</th></tr> </thead> <tbody> <tr><td>0</td><td>1021872</td></tr> <tr><td>1</td><td>1021875</td></tr> <tr><td>2</td><td>1021878</td></tr> <tr><td>3</td><td>1021882</td></tr> </tbody> </table>	Size	Code	0	1021872	1	1021875	2	1021878	3	1021882	<p>Quick-release buckles at the shoulders and dials in the pelvic region</p> <div style="border: 2px solid orange; padding: 5px; text-align: center; margin: 10px 0;"> Requires belt kit for the back, code 1021086 </div> <table border="1"> <thead> <tr><th>Size</th><th>a</th><th>b</th><th>c</th></tr> </thead> <tbody> <tr><td>0</td><td>22 cm</td><td>18 cm</td><td>7 cm</td></tr> <tr><td>1</td><td>26 cm</td><td>21 cm</td><td>9 cm</td></tr> <tr><td>2</td><td>36 cm</td><td>25 cm</td><td>11 cm</td></tr> <tr><td>3</td><td>42 cm</td><td>29 cm</td><td>17 cm</td></tr> </tbody> </table> 	Size	a	b	c	0	22 cm	18 cm	7 cm	1	26 cm	21 cm	9 cm	2	36 cm	25 cm	11 cm	3	42 cm	29 cm	17 cm
Size	Code																																									
0	1021871																																									
1	1021874																																									
2	1021877																																									
3	1021881																																									
Size	Code																																									
0	1021872																																									
1	1021875																																									
2	1021878																																									
3	1021882																																									
Size	a	b	c																																							
0	22 cm	18 cm	7 cm																																							
1	26 cm	21 cm	9 cm																																							
2	36 cm	25 cm	11 cm																																							
3	42 cm	29 cm	17 cm																																							
Each	185,- €	Each	235,- €																																							

Belts																						
<p>4-point hip belt</p> <div style="border: 1px solid orange; padding: 5px; margin-bottom: 10px;"> <p style="color: orange; text-align: center;">Requires belt kit for the seat, code 1021107</p> </div>  <table border="1" style="width: 100%; border-collapse: collapse; margin-top: 10px;"> <thead> <tr> <th>Code</th> <th>Size</th> <th>b (padding width)</th> </tr> </thead> <tbody> <tr> <td>1010366</td> <td>1</td> <td>10,5 cm</td> </tr> <tr> <td>1010367</td> <td>2</td> <td>13 cm</td> </tr> </tbody> </table> <p style="text-align: right;">Each 168, – €</p>	Code	Size	b (padding width)	1010366	1	10,5 cm	1010367	2	13 cm	<p>4-point chest harness</p> <div style="border: 1px solid orange; padding: 5px; margin-bottom: 10px;"> <p style="color: orange; text-align: center;">Requires belt kit for the back, code 1021086</p> </div>  <table border="1" style="width: 100%; border-collapse: collapse; margin-top: 10px;"> <thead> <tr> <th>Code</th> <th>Size</th> <th>a (padding length)</th> </tr> </thead> <tbody> <tr> <td>1010361</td> <td>1</td> <td>21 cm</td> </tr> <tr> <td>1010362</td> <td>2</td> <td>34 cm</td> </tr> <tr> <td>1010363</td> <td>3</td> <td>37 cm</td> </tr> </tbody> </table> <p style="text-align: right;">Each 192, – €</p>	Code	Size	a (padding length)	1010361	1	21 cm	1010362	2	34 cm	1010363	3	37 cm
Code	Size	b (padding width)																				
1010366	1	10,5 cm																				
1010367	2	13 cm																				
Code	Size	a (padding length)																				
1010361	1	21 cm																				
1010362	2	34 cm																				
1010363	3	37 cm																				

<p>2-point hip belt</p> <div style="border: 1px solid orange; padding: 5px; margin-bottom: 10px;"> <p style="color: orange; text-align: center;">Requires belt kit for the seat, code 1021107</p> </div>  <table border="1" style="width: 100%; border-collapse: collapse; margin-top: 10px;"> <thead> <tr> <th>Code</th> <th>Size</th> <th>b (padding width)</th> </tr> </thead> <tbody> <tr> <td>1010364</td> <td>1</td> <td>10,5 cm</td> </tr> <tr> <td>1010365</td> <td>2</td> <td>13 cm</td> </tr> </tbody> </table> <p style="text-align: right;">Each 97, – €</p>	Code	Size	b (padding width)	1010364	1	10,5 cm	1010365	2	13 cm	<p>Pelvi.Loc hip belt 3D Code 1022024</p>  <table border="1" style="width: 100%; border-collapse: collapse; margin-top: 10px;"> <thead> <tr> <th>Size</th> <th>b (pelvic width)</th> </tr> </thead> <tbody> <tr> <td>XXXS</td> <td>8 – 16 cm</td> </tr> <tr> <td>XXS</td> <td>12 – 16 cm</td> </tr> <tr> <td>XS</td> <td>16 – 24 cm</td> </tr> <tr> <td>S</td> <td>20 – 32 cm</td> </tr> <tr> <td>M</td> <td>28 – 38 cm</td> </tr> </tbody> </table> <div style="border: 1px solid orange; padding: 5px; margin-top: 10px;"> <p style="color: orange; text-align: center;">Requires belt kit for the seat, code 1021107</p> </div> <p style="text-align: right;">Each 340, – €</p>	Size	b (pelvic width)	XXXS	8 – 16 cm	XXS	12 – 16 cm	XS	16 – 24 cm	S	20 – 32 cm	M	28 – 38 cm
Code	Size	b (padding width)																				
1010364	1	10,5 cm																				
1010365	2	13 cm																				
Size	b (pelvic width)																					
XXXS	8 – 16 cm																					
XXS	12 – 16 cm																					
XS	16 – 24 cm																					
S	20 – 32 cm																					
M	28 – 38 cm																					

<p>Groin straps</p> <div style="border: 1px solid orange; padding: 5px; margin-bottom: 10px;"> <p style="color: orange; text-align: center;">Requires belt kit for the seat, code 1021107</p> </div>  <table border="1" style="width: 100%; border-collapse: collapse; margin-top: 10px;"> <thead> <tr> <th>Code</th> <th>Size</th> <th>a</th> <th>b</th> <th>c</th> </tr> </thead> <tbody> <tr> <td>1010369</td> <td>1</td> <td>37 cm</td> <td>21 cm</td> <td>15 cm</td> </tr> <tr> <td>1010370</td> <td>2</td> <td>44 cm</td> <td>26 cm</td> <td>21 cm</td> </tr> <tr> <td>1010371</td> <td>3</td> <td>52 cm</td> <td>29 cm</td> <td>26 cm</td> </tr> </tbody> </table> <p style="text-align: right;">Each 162, – €</p>	Code	Size	a	b	c	1010369	1	37 cm	21 cm	15 cm	1010370	2	44 cm	26 cm	21 cm	1010371	3	52 cm	29 cm	26 cm	<div style="border: 2px solid red; padding: 10px; margin-bottom: 10px;"> <p style="color: red; text-align: center; font-weight: bold;">For any customisations, please use the 'Modifications/ Customisations' form sheet available at www.rehatec.com under 'Downloads'.</p> </div> <hr/> <hr/> <hr/> <hr/> <hr/> <hr/> <hr/> <hr/> <hr/> <hr/>
Code	Size	a	b	c																	
1010369	1	37 cm	21 cm	15 cm																	
1010370	2	44 cm	26 cm	21 cm																	
1010371	3	52 cm	29 cm	26 cm																	

Please consider that the prices of spare parts might differ from the prices specified in this order form.