

Nele Classic Activity Chair Size Mini

Model 2020

Cost estimate

Sender / billing address

Order

Address for dispatch

Purchaser

Date

Commission

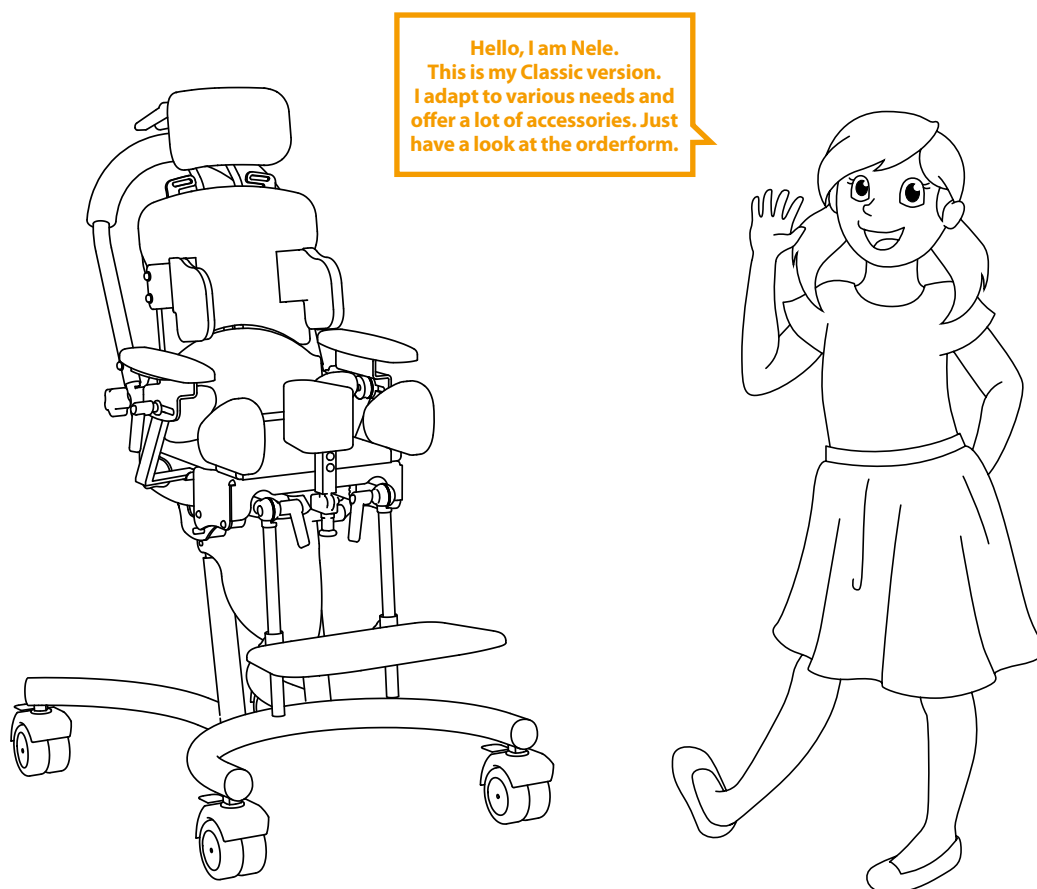


Figure does not comply with the base model and its accessories | Size tolerance of $\pm 3\%$

Base model

- „Nick 2020“ hi-lo base (mechanical seat height adjustment and seat tilt up to 37° via gas spring)
- Seat and pelvic unit with cushions and covers
- Depth adjustable seat
- Armrests
- 4 lockable castors
- Footplate incl. mounting
- Push bar mounted at the seat
- Back angle adjustment from -10° to 35°

Nele Classic

adjustable for height and angle (see technical details), not suitable for low preschool tables!

Max. user weight

40 kg

Additional technical details available at www.rehatec.com -> Downloads. Or send us your request by email, fax or letter.

Valid from 2023-01-01 until recalled. © Unauthorized duplication without prior permission of Rehatec GmbH is strictly prohibited.

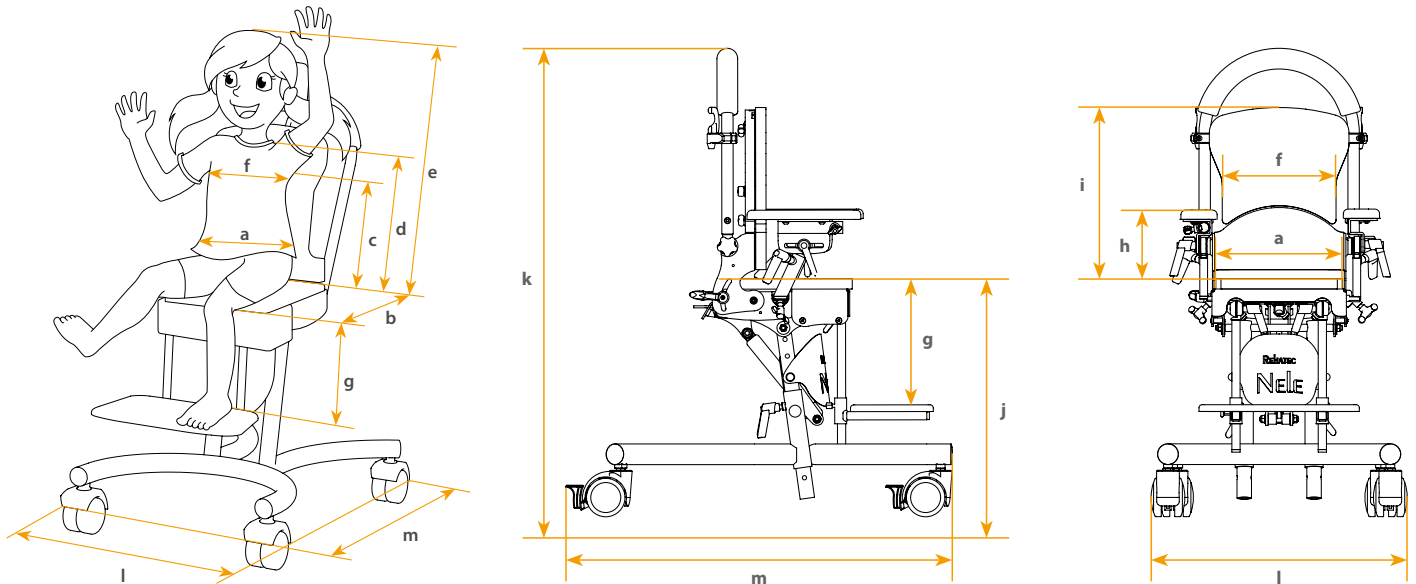
Technical changes reserved. Our General Terms and Conditions apply, see www.rehatec.com.

By ordering our products, you confirm that you have read and accepted our General Terms and Conditions

Rehatec® GmbH, In den Kreuzwiesen 35, 69250 Schönau, T: +49 6228 9136-0, Fax: +49 6228 9136-99, info@rehatec.com, www.rehatec.com

User Measurements & Configuration

Nele Classic activity chair size Mini – Model 2020



User measurements				
(c) Seat to armpit	(d) Seat to shoulder	(e) Seat to chest	User weight ⁽¹⁾	Body height
cm	cm	cm	kg	cm

⁽¹⁾ mandatory

Patient's muscle tone
Stereotypic movements (e.g. permanent body rocking)*

* If there are stereotypic movements, please check whether the activity chair requires any special customisation

Base model measurements						
Size	(a) Seat width	(b) Seat depth			(f) Chest width	(g) Lower leg length ⁽²⁾
		Standard	Short	Extended		
Mini	14 - 23 cm	17 - 27 cm	12 - 22 cm	—	14.5 - 20 cm	10 - 24.5 cm
	cm			cm	cm	cm

⁽²⁾ For length of lower leg incl. calf support see measurement table for calf supports.

Size	(h) Height of armrest	(i) Height of back		
		Mini	Extra short	Short
Mini	12.5 - 16.5 cm	24 - 27.5 cm	28 - 32.5 cm	32.5 - 39 cm

Size	(j) Seat height adjustment	(l) Total width	(m) Total length	User height	User weight
Mini	47 - 60 cm ⁽³⁾	50 cm ⁽³⁾	75 cm ⁽³⁾	ca. 65 - 95 cm	23 kg

⁽³⁾ incl. 75 mm castors

Additional technical details available at www.rehatec.com -> Downloads. Or send us your request by email, fax or letter.

Valid from 2023-01-01 until recalled. © Unauthorized duplication without prior permission of Rehatec GmbH is strictly prohibited.

Technical changes reserved. Our General Terms and Conditions apply, see www.rehatec.com.

By ordering our products, you confirm that you have read and accepted our General Terms and Conditions

Rehatec® GmbH, In den Kreuzwiesen 35, 69250 Schönau, T: +49 6228 9136-0, Fax: +49 6228 9136-99, info@rehatec.com, www.rehatec.com

Nele

Nele Classic activity chair
Code 1025335

Size Mini **1.898,- €**

Covers, plain

High quality microfibre covers
Washable up to 40 degrees

- Lilac (N20080)
- Blue (N20081)
- Green (N20082)

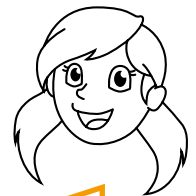
High quality Trevira® CS covers

- Red* (GU703)
- Grey* (GU709)

***Extra charge of 104 € (not discountable)**

Seat tilt

0° to 37°



Do not forget to choose the colours of your Nele. They are crucial to process your order.

Seat depth*

Standard depth

Optional

Short (Code 1010421)

*If you do not select anything, we will provide you with the standard seat depth

Frame colours

<input type="checkbox"/> Pure white (RAL 9010)	<input type="checkbox"/> Pearl night blue, matt (RAL 5026)
<input type="checkbox"/> Daffodil yellow (RAL 1007)	<input type="checkbox"/> Water blue (RAL 5021)
<input type="checkbox"/> Luminous yellow (RAL 1026)	<input type="checkbox"/> Light green (RAL 6027)
<input type="checkbox"/> Pure orange (RAL 2004)	<input type="checkbox"/> Yellow green (RAL 6018)
<input type="checkbox"/> Luminous orange (RAL 2005)	<input type="checkbox"/> Pearl green, matt (RAL 6035)
<input type="checkbox"/> Ruby red (RAL 3003)	<input type="checkbox"/> Luminous green (RAL 6038)
<input type="checkbox"/> Pearl ruby red, matt (RAL 3032)	<input type="checkbox"/> Anthracite grey, matt (RAL 7016m)
<input type="checkbox"/> Heather violet (RAL 4003)	<input type="checkbox"/> Metallic silver* * no RAL colours
<input type="checkbox"/> Claret violet (RAL 4004)	<input type="checkbox"/> Metallic anthracite*
<input type="checkbox"/> Ultramarine blue (RAL 5002)	<input type="checkbox"/> Graphite black, matt (RAL 9011m)
<input type="checkbox"/> Metallic traffic blue*	<input type="checkbox"/> Glossy jet black (RAL 9005g)

This is only an overview of colours. Find all details at www.rehatec.com.

Artificial leather covers

High quality Skai covers

- Blue (N6461453)
- Red **NEW** (N6461454)

Extra charge (customisation) 263,- €

Personalisation

Individual name on the front plate
Code 5185

White foil text Requested text: _____
 Black foil text

Optional (free of charge)

Castors

<p>Lockable castors , 75 mm Code 1005593</p> <p>Set/standard</p>	<p>Lockable 100 mm castors Code 1022143</p> <p>Caution: The seat height rises by 4.5 cm.</p> <p>Set/extra charge 101,- €</p>	<p>Lockable 125 mm castors Code 1014946</p> <p>Caution: The seat height rises by 7 cm.</p> <p>Set/extra charge 101,- €</p>	<p>Wall and furniture bumpers</p> <p>The total width extends by 4 cm.</p> <table border="1"> <thead> <tr> <th>Code</th> <th>Castors</th> </tr> </thead> <tbody> <tr> <td>1018607</td> <td>75 mm</td> </tr> <tr> <td>1018783</td> <td>100 mm</td> </tr> <tr> <td>1018698</td> <td>125 mm</td> </tr> </tbody> </table> <p>Set 117,- €</p>	Code	Castors	1018607	75 mm	1018783	100 mm	1018698	125 mm
Code	Castors										
1018607	75 mm										
1018783	100 mm										
1018698	125 mm										

Additional technical details available at www.rehatec.com -> Downloads. Or send us your request by email, fax or letter.

Valid from 2023-01-01 until recalled. © Unauthorized duplication without prior permission of Rehatec GmbH is strictly prohibited.

Technical changes reserved. Our General Terms and Conditions apply, see www.rehatec.com.

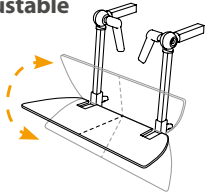
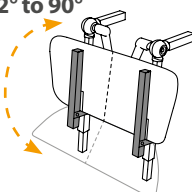
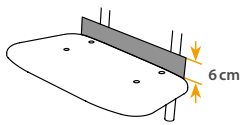
By ordering our products, you confirm that you have read and accepted our General Terms and Conditions

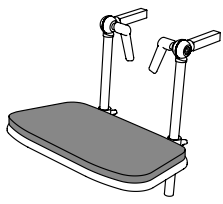
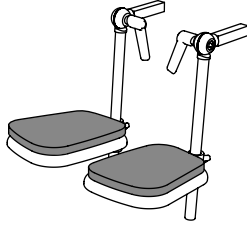
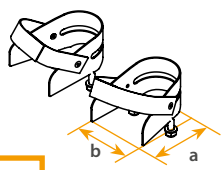
Rehatec® GmbH, In den Kreuzwiesen 35, 69250 Schönau, T: +49 6228 9136-0, Fax: +49 6228 9136-99, info@rehatec.com, www.rehatec.com

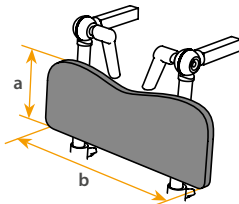
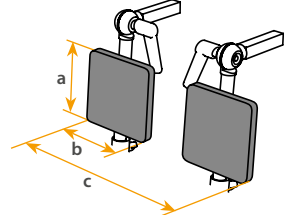
Footplate Accessories, Cushion & Tray REHATEC®

Nele Classic activity chair size Mini – Model 2020

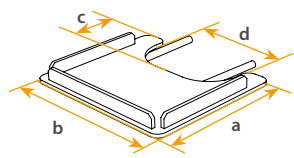
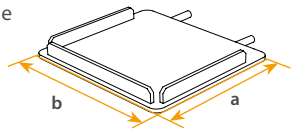
Footplate accessories

<p>Foot angle, adjustable Code 214</p>  <p>Not available for adjustable for folding mechanism and split footplate with multi-adjustable foot supports!</p>	<p>Folding mechanism -22° to 90° Code 1017724</p>  <p>Not available for for foot angle, adjustable and split footplate with multi-adjustable foot supports!</p>	<p>Heel loop Code 217</p>  <p>Not available for split wooden footplates.</p> <p>Not available for split wooden footplates. Please consider a minimum lower leg length of 18 cm when you use a calf support.</p>
<p>Extra charge 113,- €</p>	<p>Extra charge 177,- €</p>	<p>Extra charge 113,- €</p>

<p>Full footplate pad, 2 cm thick Code 1017843</p> <p>Artificial leather in beige or black</p>  <p>Full footplate pad is not available for sandals.</p>	<p>Split footplate, 2 cm thick Code 1017919</p> <p>Artificial leather in beige or black</p>  <p>Full footplate pad is not available for sandals.</p>	<p>Sandals incl. foot straps Code 10052-0</p>  <p>Not available for footplate pads.</p> <table border="1" data-bbox="1077 996 1220 1052"> <tr> <td>a</td> <td>b</td> </tr> <tr> <td>11 cm</td> <td>8 cm</td> </tr> </table>	a	b	11 cm	8 cm
a	b					
11 cm	8 cm					
<p>beige 115,- € black 115,- €</p>	<p>beige 164,- € black 164,- €</p>	<p>Pair 302,- €</p>				

<p>Calf support Code 1010278</p> <p>In the colour of the covers</p>  <p>Please consider a minimum lower leg length of 18 cm when you use a heel loop.</p> <table border="1" data-bbox="159 1444 478 1512"> <tr> <td>Lower leg length</td> <td>a</td> <td>b</td> </tr> <tr> <td>18-30 cm</td> <td>11 cm</td> <td>28 cm</td> </tr> </table>	Lower leg length	a	b	18-30 cm	11 cm	28 cm	<p>Split calf support Artificial leather in black</p>  <p>Please consider a minimum lower leg length of 18 cm when you use a heel loop!</p> <table border="1" data-bbox="845 1444 1300 1512"> <tr> <td>Code</td> <td>Lower leg length</td> <td>a</td> <td>b</td> <td>c</td> </tr> <tr> <td>1010835</td> <td>18-30 cm</td> <td>11 cm</td> <td>12.5 cm</td> <td>26.5 cm</td> </tr> </table>	Code	Lower leg length	a	b	c	1010835	18-30 cm	11 cm	12.5 cm	26.5 cm
Lower leg length	a	b															
18-30 cm	11 cm	28 cm															
Code	Lower leg length	a	b	c													
1010835	18-30 cm	11 cm	12.5 cm	26.5 cm													
<p>Extra charge 193,- €</p>	<p>Pair 240,- €</p>																

Removable tray

<p>Wooden tray, removable, grab rails and holder, with cutout</p> <p>Code 1016671</p> <p>Each holder is adjustable in width, tabletop without holes</p>  <table border="1" data-bbox="159 1881 558 1960"> <tr> <td>a (depth)</td> <td>b (width)</td> <td>c (cutout depth)</td> <td>d (cutout width)</td> </tr> <tr> <td>40 cm</td> <td>45 cm</td> <td>14 cm</td> <td>30 cm</td> </tr> </table>	a (depth)	b (width)	c (cutout depth)	d (cutout width)	40 cm	45 cm	14 cm	30 cm	<p>Wooden tray, removable, grab rails and holder, without cutout</p> <p>Code 1016671-S</p> <p>Holders separately adjustable for width, tabletop without holes</p>  <table border="1" data-bbox="925 1904 1117 1960"> <tr> <td>a (depth)</td> <td>b (width)</td> </tr> <tr> <td>40 cm</td> <td>45 cm</td> </tr> </table>	a (depth)	b (width)	40 cm	45 cm
a (depth)	b (width)	c (cutout depth)	d (cutout width)										
40 cm	45 cm	14 cm	30 cm										
a (depth)	b (width)												
40 cm	45 cm												
<p>Extra charge 261,- €</p>	<p>Extra charge 261,- €</p>												

Additional technical details available at www.rehatec.com -> Downloads. Or send us your request by email, fax or letter.

Valid from 2023-01-01 until recalled. © Unauthorized duplication without prior permission of Rehatec GmbH is strictly prohibited.

Technical changes reserved. Our General Terms and Conditions apply, see www.rehatec.com.

By ordering our products, you confirm that you have read and accepted our General Terms and Conditions

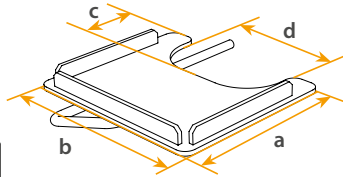
Rehatec® GmbH, In den Kreuzwiesen 35, 69250 Schönau, T: +49 6228 9136-0, Fax: +49 6228 9136-99, info@rehatec.com, www.rehatec.com

Swing-away tray

Swing-away wooden tray, grab rail and holder, with cutout

Code 1016774

Holders separately adjustable for width, tabletop **without holes**



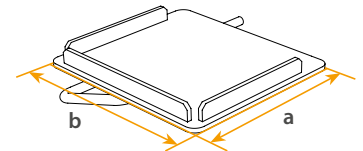
a (depth)	b (width)	c (cutout depth)	d (cutout width)
40 cm	45 cm	14 cm	30 cm

Extra charge

261, – €

Swing-away wooden tray, grab rail and holder, without cutout

Code 1016774-S



a (depth)	b (width)
40 cm	45 cm

Extra charge

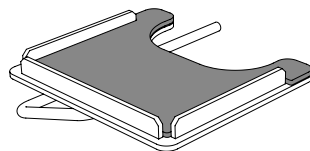
261, – €

Tray accessories

Padded tray cover

Code 1018009

2 cm thick, artificial leather in beige or black



Only available for trays with cutout.

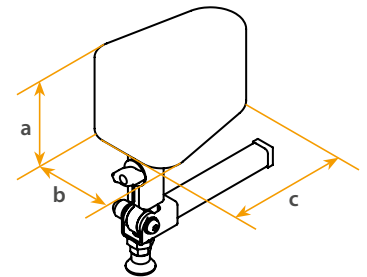
beige
black

137, – €
137, – €

Supports

Pommel, swing away

Code 1010854

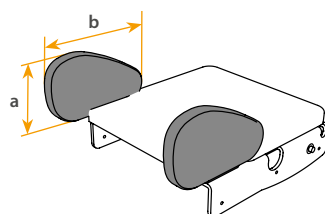


a	b	c
6.5 cm	7.5 cm	11 cm

Extra charge

246, – €

Thigh guides

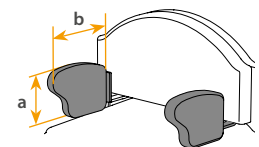


Code	Size	a	b
1010754	Mini	7 cm	12 cm
1009181	0	8 cm	14 cm

Pair

199, – €

Pelvic supports, width adjustable

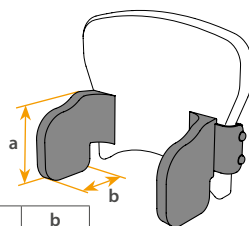


Code	Size	a	b
1010752	Mini	6.5 cm	7 cm
1010168	0	8 cm	10 cm

Pair

389, – €

Lateral supports, adjustable for height and width



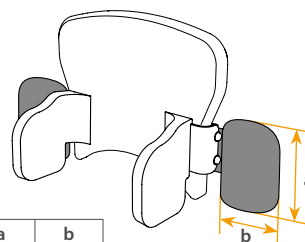
Code	Size	a	b
1010749	Mini	10 cm	8.5 cm
1010169	0	12 cm	10 cm

Pair

111, – €

Arm supports

Code 1010598



a	b
12 cm	9 cm

Pair

225, – €

Minus position

Without seat/pelvic/back cushions and covers

Code 11908

NEW

105, – € (net)

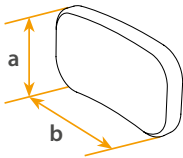
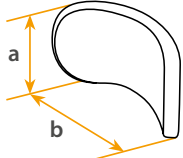
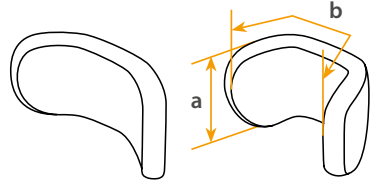
Additional technical details available at www.rehatec.com -> Downloads. Or send us your request by email, fax or letter.

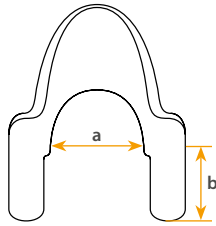
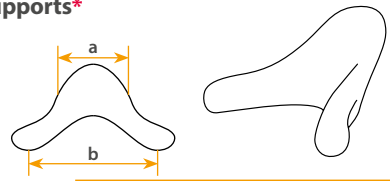
Valid from 2023-01-01 until recalled. © Unauthorized duplication without prior permission of Rehatec GmbH is strictly prohibited.

Technical changes reserved. Our General Terms and Conditions apply, see www.rehatec.com.

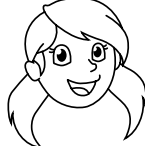
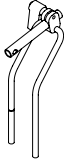
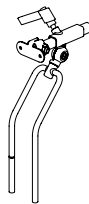
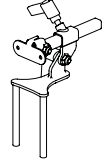
By ordering our products, you confirm that you have read and accepted our General Terms and Conditions

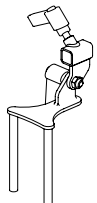
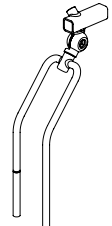
Rehatec® GmbH, In den Kreuzwiesen 35, 69250 Schönau, T: +49 6228 9136-0, Fax: +49 6228 9136-99, info@rehatec.com, www.rehatec.com

Headrests														
Headrest, straight (please select mounting hardware) Code 1010166  <table border="1" data-bbox="159 660 295 716"> <tr><th>a</th><th>b</th></tr> <tr><td>11 cm</td><td>20 cm</td></tr> </table> <p>Select mounting hardware. Otherwise we will provide you with standard hardware.</p>	a	b	11 cm	20 cm	Headrest, shell-shaped (please select mounting hardware) Code 1009693  <table border="1" data-bbox="614 660 750 716"> <tr><th>a</th><th>b</th></tr> <tr><td>11 cm</td><td>19 cm</td></tr> </table> <p>Select mounting hardware. Otherwise we will provide you with standard hardware.</p>	a	b	11 cm	19 cm	Headrest, adjustable (please select mounting hardware) Code 1018345  <table border="1" data-bbox="1069 660 1204 716"> <tr><th>a</th><th>b</th></tr> <tr><td>10 cm</td><td>33 cm</td></tr> </table> <p>Select mounting hardware. Otherwise we will provide you with standard hardware.</p>	a	b	10 cm	33 cm
a	b													
11 cm	20 cm													
a	b													
11 cm	19 cm													
a	b													
10 cm	33 cm													
Extra charge	275, – €	Extra charge	375, – €	Extra charge	382, – €									

Heads Up headrest, short lateral arms, high occipital support* <table border="1" data-bbox="159 907 486 974"> <tr><th>Size</th><th>a</th><th>b</th><th>Code</th></tr> <tr><td>Size 1 Infant</td><td>8.5 cm</td><td>14 cm</td><td>HK02</td></tr> <tr><td>Size 2 Small</td><td>10 cm</td><td>14 cm</td><td>HK06</td></tr> </table> <p>a = width of back collar b = length of arm</p>  <p>Select mounting hardware. Otherwise we will provide you with standard hardware.</p>	Size	a	b	Code	Size 1 Infant	8.5 cm	14 cm	HK02	Size 2 Small	10 cm	14 cm	HK06	Headrest system incl. wings and lateral supports*  <table border="1" data-bbox="845 1075 1093 1131"> <tr><th>Headrest</th><th>a</th><th>b</th></tr> <tr><td>K0015</td><td>8 cm</td><td>20 cm</td></tr> </table> <p>Select mounting hardware. Otherwise we will provide you with standard hardware.</p>	Headrest	a	b	K0015	8 cm	20 cm
Size	a	b	Code																
Size 1 Infant	8.5 cm	14 cm	HK02																
Size 2 Small	10 cm	14 cm	HK06																
Headrest	a	b																	
K0015	8 cm	20 cm																	
Size 1 Infant 1.105, – € Size 2 Small 1.120, – €	K0015 489, – €																		

* recommended for mounting hardware with clamping system

 <p>Select mounting hardware for your headrest; otherwise we will provide you with the standard hardware.</p>	Mounting hardware, standard Code 1010410-AP Offset mounting bracket for round pipes 	Mounting hardware with toothed segment adjustment Code 1013253-AP Offset mounting bracket for square pipes 	Mounting hardware with clamping system Code 1014903-AP Suitable for low headrest configurations 	
Standard	Extra charge	93, – €	Extra charge	93, – €

Mounting hardware without headrest			
Mounting hardware with clamping system suitable for third-party headrests Code 1014903 • Angle adjustable • Suitable for 15 × 15 square pipes • Suitable for low headrest configurations 	Mounting hardware with toothed segment adjustment suitable for third-party headrests Code 1013253 • Angle adjustable • Offset mounting bracket suitable for 15 × 15 square pipes 		
Without headrest	Without headrest		
Extra charge	187, – €	Extra charge	187, – €

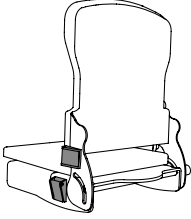
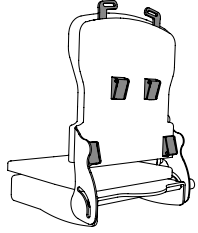
Additional technical details available at www.rehatec.com -> Downloads. Or send us your request by email, fax or letter.

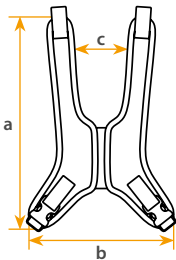
Valid from 2023-01-01 until recalled. © Unauthorized duplication without prior permission of Rehatec GmbH is strictly prohibited.

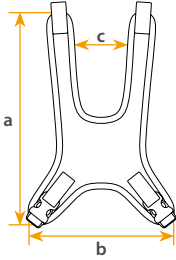
Technical changes reserved. Our General Terms and Conditions apply, see www.rehatec.com.

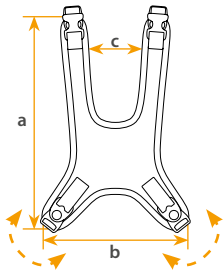
By ordering our products, you confirm that you have read and accepted our General Terms and Conditions

Rehatec® GmbH, In den Kreuzwiesen 35, 69250 Schönau, T: +49 6228 9136-0, Fax: +49 6228 9136-99, info@rehatec.com, www.rehatec.com

Belts and straps	
<p>Belt kit for the seat Code 1021107</p> <p>To attach pelvic restraint belts</p> 	<p>Belt kit for the back Code 1021086</p> <p>To attach chest harnesses</p> 
<p>Set 46, – €</p>	<p>Set 46, – €</p>

<p>Butterfly harness</p> <p>Material: black artificial leather</p> <table border="1"> <thead> <tr> <th>Size</th> <th>Code</th> </tr> </thead> <tbody> <tr> <td>0</td> <td>1013494</td> </tr> <tr> <td>1</td> <td>1013490</td> </tr> </tbody> </table>		Size	Code	0	1013494	1	1013490	<p>Material: neoprene</p> <table border="1"> <thead> <tr> <th>Size</th> <th>Code</th> </tr> </thead> <tbody> <tr> <td>0</td> <td>1013493</td> </tr> <tr> <td>1</td> <td>1013488</td> </tr> </tbody> </table>		Size	Code	0	1013493	1	1013488	<p>Fixed belts at the shoulders and buckles in the pelvic region</p> <p>Requires belt kit for the back, code 1021086</p>  <table border="1"> <thead> <tr> <th>Size</th> <th>a</th> <th>b</th> <th>c</th> </tr> </thead> <tbody> <tr> <td>0</td> <td>22 cm</td> <td>17 cm</td> <td>7 cm</td> </tr> <tr> <td>1</td> <td>27 cm</td> <td>21 cm</td> <td>8 cm</td> </tr> </tbody> </table>	Size	a	b	c	0	22 cm	17 cm	7 cm	1	27 cm	21 cm	8 cm
Size	Code																											
0	1013494																											
1	1013490																											
Size	Code																											
0	1013493																											
1	1013488																											
Size	a	b	c																									
0	22 cm	17 cm	7 cm																									
1	27 cm	21 cm	8 cm																									
<p>Extra charge 213, – €</p>	<p>Extra charge 266, – €</p>																											

<p>Chest shoulder harness</p> <p>Material: black artificial leather</p> <table border="1"> <thead> <tr> <th>Size</th> <th>Code</th> </tr> </thead> <tbody> <tr> <td>0</td> <td>1013492</td> </tr> <tr> <td>1</td> <td>1010372</td> </tr> </tbody> </table>		Size	Code	0	1013492	1	1010372	<p>Material: neoprene</p> <table border="1"> <thead> <tr> <th>Size</th> <th>Code</th> </tr> </thead> <tbody> <tr> <td>0</td> <td>1013491</td> </tr> <tr> <td>1</td> <td>1010373</td> </tr> </tbody> </table>		Size	Code	0	1013491	1	1010373	<p>Fixed belts at the shoulders and buckles in the pelvic region</p> <p>Requires belt kit for the back, code 1021086</p>  <table border="1"> <thead> <tr> <th>Size</th> <th>a</th> <th>b</th> <th>c</th> </tr> </thead> <tbody> <tr> <td>0</td> <td>22 cm</td> <td>17 cm</td> <td>7 cm</td> </tr> <tr> <td>1</td> <td>27 cm</td> <td>21 cm</td> <td>8 cm</td> </tr> </tbody> </table>	Size	a	b	c	0	22 cm	17 cm	7 cm	1	27 cm	21 cm	8 cm
Size	Code																											
0	1013492																											
1	1010372																											
Size	Code																											
0	1013491																											
1	1010373																											
Size	a	b	c																									
0	22 cm	17 cm	7 cm																									
1	27 cm	21 cm	8 cm																									
<p>Extra charge 185, – €</p>	<p>Extra charge 235, – €</p>																											

<p>Chest shoulder harness with buckles and adjustment dials</p> <p>Material: black artificial leather</p> <table border="1"> <thead> <tr> <th>Size</th> <th>Code</th> </tr> </thead> <tbody> <tr> <td>0</td> <td>1021871</td> </tr> <tr> <td>1</td> <td>1021874</td> </tr> </tbody> </table>		Size	Code	0	1021871	1	1021874	<p>Material: neoprene</p> <table border="1"> <thead> <tr> <th>Size</th> <th>Code</th> </tr> </thead> <tbody> <tr> <td>0</td> <td>1021872</td> </tr> <tr> <td>1</td> <td>1021875</td> </tr> </tbody> </table>		Size	Code	0	1021872	1	1021875	<p>Fixed belts at the shoulders and adjustment dials in the pelvic region</p> <p>Requires belt kit for the back, code 1021086</p>  <table border="1"> <thead> <tr> <th>Size</th> <th>a</th> <th>b</th> <th>c</th> </tr> </thead> <tbody> <tr> <td>0</td> <td>22 cm</td> <td>13 cm</td> <td>9 cm</td> </tr> <tr> <td>1</td> <td>28 cm</td> <td>16 cm</td> <td>9 cm</td> </tr> </tbody> </table>	Size	a	b	c	0	22 cm	13 cm	9 cm	1	28 cm	16 cm	9 cm
Size	Code																											
0	1021871																											
1	1021874																											
Size	Code																											
0	1021872																											
1	1021875																											
Size	a	b	c																									
0	22 cm	13 cm	9 cm																									
1	28 cm	16 cm	9 cm																									
<p>Extra charge 185, – €</p>	<p>Extra charge 235, – €</p>																											

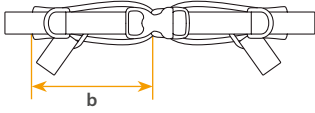
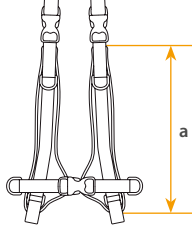
Additional technical details available at www.rehatec.com -> Downloads. Or send us your request by email, fax or letter.

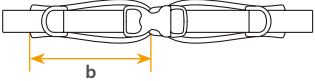
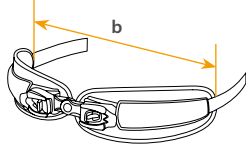
Valid from 2023-01-01 until recalled. © Unauthorized duplication without prior permission of Rehatec GmbH is strictly prohibited.

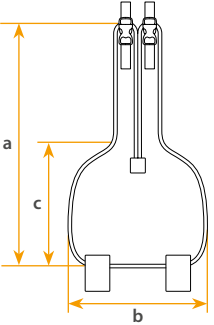
Technical changes reserved. Our General Terms and Conditions apply, see www.rehatec.com.

By ordering our products, you confirm that you have read and accepted our General Terms and Conditions

Rehatec® GmbH, In den Kreuzwiesen 35, 69250 Schönau, T: +49 6228 9136-0, Fax: +49 6228 9136-99, info@rehatec.com, www.rehatec.com

Belts and straps									
<p>4-point pelvis belt</p> <div style="border: 1px solid orange; padding: 5px; margin: 10px 0;"> <p>Requires belt kit for the seat, code 1021107</p> </div>  <table border="1" style="margin-top: 10px; width: 100%; border-collapse: collapse;"> <tr> <td style="width: 20%;">Code</td> <td>b (cushion width)</td> </tr> <tr> <td>1010366</td> <td>10.5 cm</td> </tr> </table>	Code	b (cushion width)	1010366	10.5 cm	<p>4-point chest strap</p> <div style="border: 1px solid orange; padding: 5px; margin: 10px 0;"> <p>Requires belt kit for the back, code 1021086</p> </div>  <table border="1" style="margin-top: 10px; width: 100%; border-collapse: collapse;"> <tr> <td style="width: 20%;">Code</td> <td>a (cushion length)</td> </tr> <tr> <td>1010361</td> <td>21 cm</td> </tr> </table>	Code	a (cushion length)	1010361	21 cm
Code	b (cushion width)								
1010366	10.5 cm								
Code	a (cushion length)								
1010361	21 cm								
Extra charge	168, – €								
Extra charge	192, – €								

<p>2-point pelvis belt</p>  <table border="1" style="margin-top: 10px; width: 100%; border-collapse: collapse;"> <tr> <td style="width: 20%;">Code</td> <td>b (cushion width)</td> </tr> <tr> <td>1010364</td> <td>10.5 cm</td> </tr> </table> <div style="border: 1px solid orange; padding: 5px; margin-top: 10px;"> <p>Requires belt kit for the seat, code 1021107</p> </div>	Code	b (cushion width)	1010364	10.5 cm	<p>PELVI.LOC pelvis belt3D Code 1022024</p>  <table border="1" style="margin-top: 10px; width: 100%; border-collapse: collapse;"> <tr> <td style="width: 20%;">Size</td> <td>b (pelvic width)</td> </tr> <tr> <td>XXXS</td> <td>8 – 16 cm</td> </tr> <tr> <td>XXS</td> <td>12 – 20 cm</td> </tr> </table> <div style="border: 1px solid orange; padding: 5px; margin-top: 10px;"> <p>Requires belt kit for the back, code 1021086</p> </div>	Size	b (pelvic width)	XXXS	8 – 16 cm	XXS	12 – 20 cm
Code	b (cushion width)										
1010364	10.5 cm										
Size	b (pelvic width)										
XXXS	8 – 16 cm										
XXS	12 – 20 cm										
Extra charge	97, – €										
Extra charge	340, – €										

<p>Groin harness Code 1010369</p> <div style="border: 1px solid orange; padding: 5px; margin: 10px 0;"> <p>Requires belt kit for the seat, code 1021107</p> </div>  <table border="1" style="margin-top: 10px; width: 100%; border-collapse: collapse;"> <tr> <td style="width: 33%;">a</td> <td style="width: 33%;">b</td> <td style="width: 33%;">c</td> </tr> <tr> <td>37 cm</td> <td>21 cm</td> <td>15 cm</td> </tr> </table>	a	b	c	37 cm	21 cm	15 cm	<div style="border: 2px solid red; padding: 10px; margin: 10px 0;"> <p style="text-align: center; color: red; font-weight: bold;">For any customisations, please use the 'Modifications/ Customisations' form sheet available at www.rehatec.com under 'Downloads'.</p> </div> <hr/> <hr/> <hr/> <hr/> <hr/> <hr/> <hr/> <hr/> <hr/> <hr/>
a	b	c					
37 cm	21 cm	15 cm					
Extra charge	162, – €						

Please consider that the prices of spare parts might differ from the prices specified in this order form.